

Conductive Plastic Linear Sensor

LP-F-63 Series

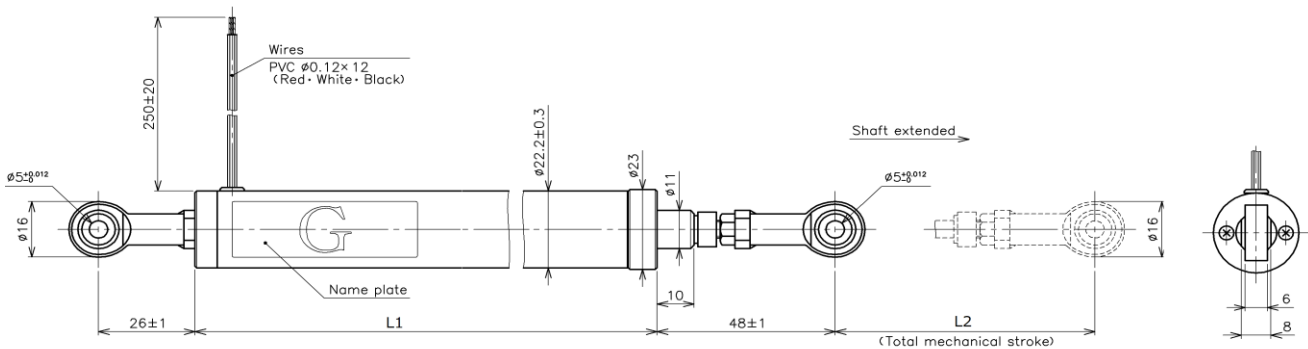


- Conductive Plastic Linear Sensor
- Effective Electrical Travel:
 - 100mm±1mm
 - 150mm±1mm
 - 200mm±1mm
 - 250mm±1mm
 - 300mm±1mm
- Independent Linearity : ±0.3%
- Rod end bearing with both ends

【Option】

- Independent Linearity : ±0.1%
- with lead connector : Binder 09-0309-00-04 (Model : LP-F-62)

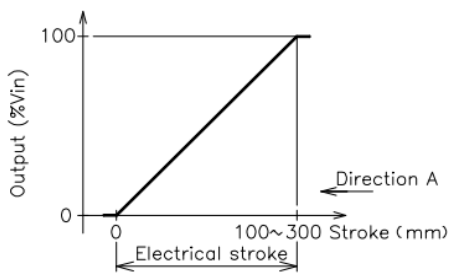
Dimension [mm]



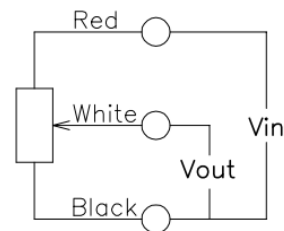
【Model No.】	LP-100F-63	LP-150F-63	LP-200F-63	LP-250F-63	LP-300F-63
-------------	------------	------------	------------	------------	------------

【Housing Length・Mounting】						
Housing Length L1	145±1	195±1	245±1	295±1	345±1	mm
Mech. stroke L2	103±2	153±2	203±2	253±2	304±1	mm

Output Characteristics



Schematic



• Red, White, Black indicate lead colors.

【Model No.】	LP-100F-63	LP-150F-63	LP-200F-63	LP-250F-63	LP-300F-63
--------------------	------------	------------	------------	------------	------------

【Electrical Data】

Effective Electrical Travel	100±1	150±1	200±1	250±1	300±1	mm
Total Resistance	1, 2, 5, 10				2, 5, 10	kΩ
Total Resistance Tolerance	±20%					%
Independent Linearity	±0.3(Special Linearity±0.1%)					%
Input Voltage	2W/70°C			4W/70°C		
Output Smoothness	MAX. 0.1					%
Insulation Resistance	MIN. 100MΩ / DC 500V					
Dielectric Strength	AC500V / 1 Minute					
TC of Resistance	±400					ppm/K

【Mechanical Data】

Friction	MAX. 2					N
Mass	95 Approx.	125 Approx.	165 Approx.	205 Approx.	245 Approx.	g

【Environmental Data】

Life	5 Million					Cycle
Operating Temp.	-25~+80					°C
Storage Temperature Range	-25~+80					°C
Vibration	100m/s ² 20~500Hz 3axis 2hours each					
Shock	500m/s ²					
IP Rating	IP40					

■ Handling Instruction

To avoid burnout of resistive element, do not supply 1mA Min. current to terminal 2.