

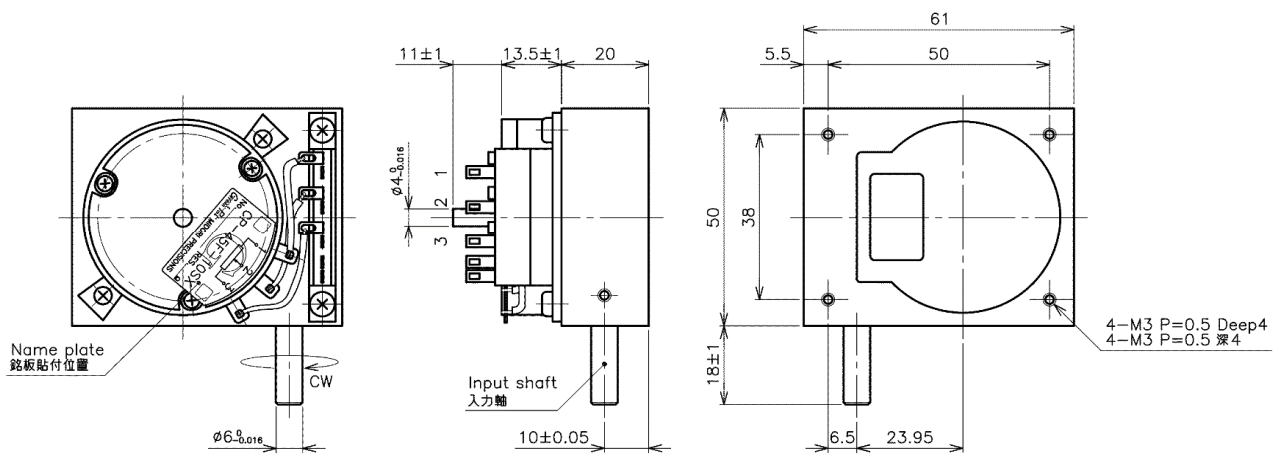
CP-45F Multi-turn Series - CP-45F-xxSX



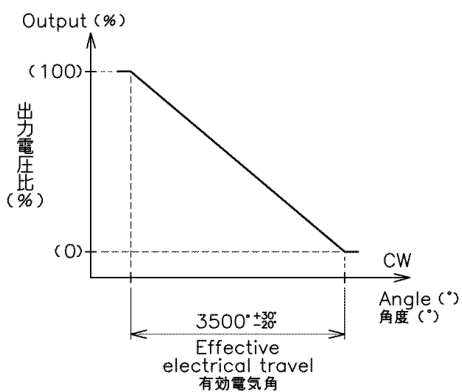
- Conductive Plastic Angle Sensor
- Effective Electrical Travel : 3500°-35000°
- Independent Linearity : $\pm 0.1\%$
(CP-45F Potentiometer)
- Voltage Ratio Output

- 【Material】 : Aluminum
- Housing : Stainless Steel
 - Shaft : Stainless Steel
 - Bearing

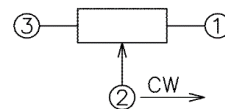
Dimension [mm]



Output Characteristics

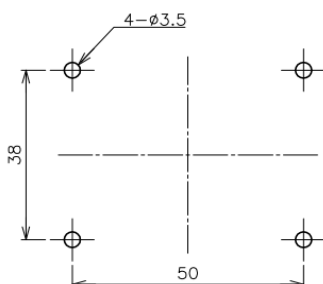


Schematic



- ① ② ③ : Terminal No.
- ① ② ③ : 端子台の端子番号
- This schematic shows the rotation direction as viewed from the input shaft.
- 本結線図は入力軸から見た回転方向を表す。

Mounting



【Model No.】	CP-45F-10SX	CP-45F-24SX	CP-45F-35SX	CP-45F-100SX
-------------	-------------	-------------	-------------	--------------

【Electrical Data】

Effective Electrical Travel	3500 +30、-20	8400 +72、-48	12250 +105、-70	35000 +300、-200	°
Total Resistance	1, 2, 5, 10 (Option : 0.5, 20K)				kΩ
Total Resistance Tolerance	±15				%
Independent Linearity	±0.1				%
Power Rating	3/70°C				W
Output Smoothness	MAX. 0.1				%
Insulation Resistance	MIN. 100/DC1000V				MΩ
Dielectric Strength	AC1000/1min.				V
Temperature Coefficient Of Resistance	±400				ppm/K

【Mechanical Data】

Gear Ratio	10:1	24:1	35:1	100:1	
Torque	MAX. 4				mN·m
Repeatability	MAX. 0.03(Including Backlash)				%
Thrust Load Tolerance	5				N
Radial Load Tolerance	16				N
Mass	210 Approx.				g

【Environmental Data】

Category Temperature Range	-40~+120	°C
Storage Temperature Range	-40~+120	°C

■ Handling Instruction

- To avoid burnout of resistive element, do not supply more than 1mA current to terminal 2.