

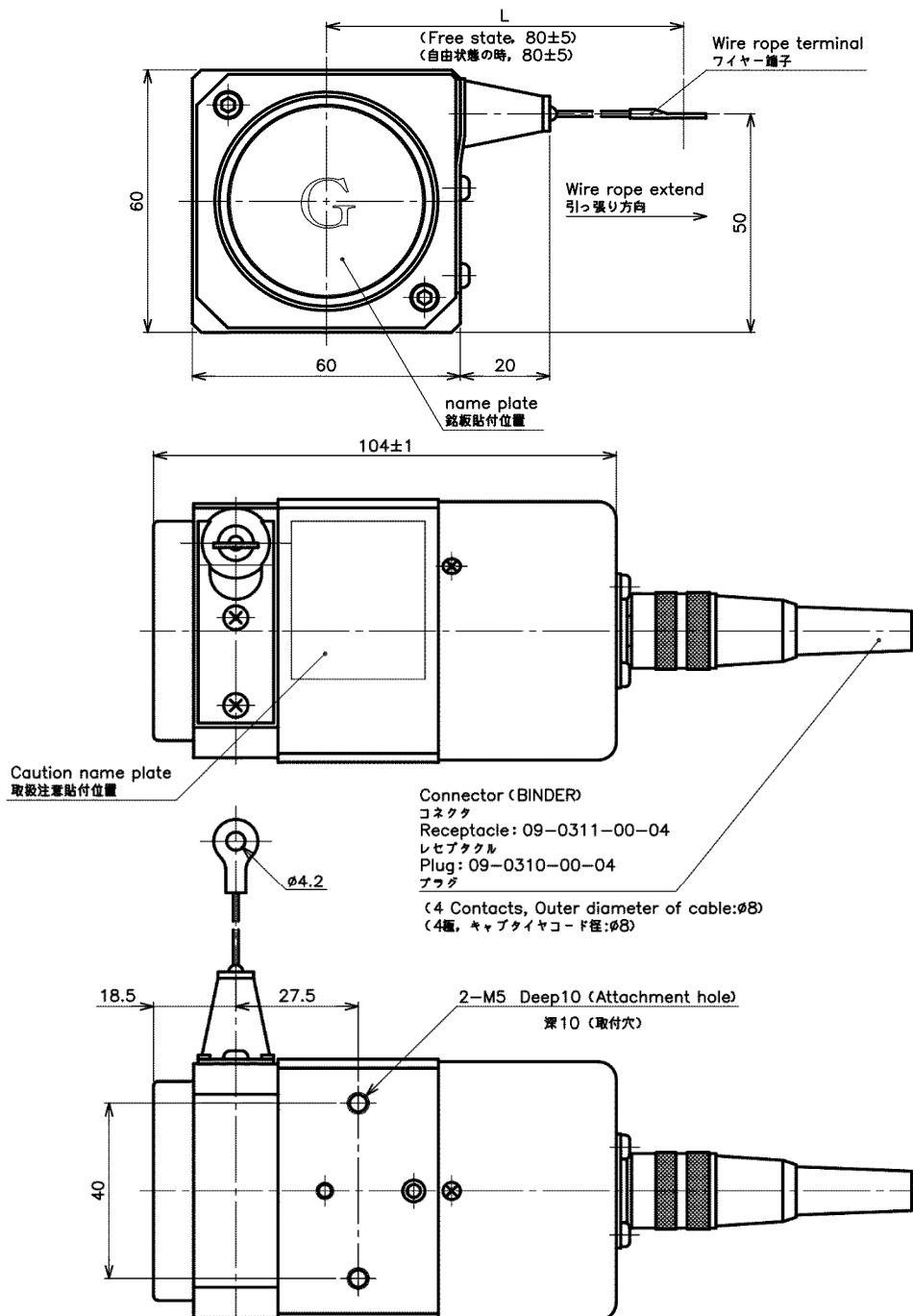
Conductive Plastic Wire Extension Type Sensor

CP-45F LS Series - CP-45-50LS

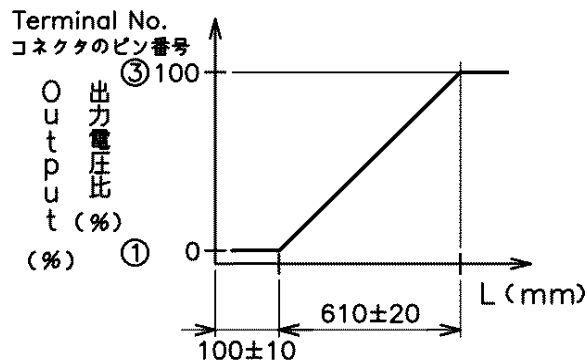
- Wire Extension Type Conductive Plastic Linear Sensor
- Effective Electrical Travel : 610mm
- Independent Linearity : $\pm 0.1\%$ (Inner Potentiometer)

【Material】

- Housing : Aluminum
- Wire : Stainless Steel

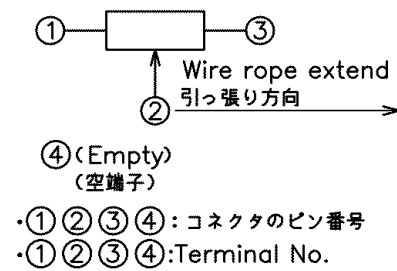
Dimension [mm]

Output Characteristics

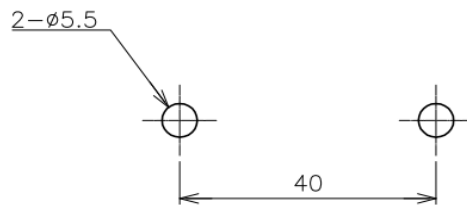


* Output 0% position is started when wire rope is pulled approx. 20mm stroke.
(At the free state, length is 80mm. Refer (L) in the dimension.)

Schematic



Mounting



【Model No.】	CP-45F-50LS
--------------------	--------------------

【Electrical Data】		
Effective Electrical Travel	610	mm
Total Resistance	1, 2, 5, 10 (Option: 0.5, 20)	k Ω
Total Resistance Tolerance	± 15	%
Independent Linearity	± 0.1	%
Power Rating	3/70 $^{\circ}$ C	W
Output Smoothness	MAX. 0.1	%
Insulation Resistance	MIN. 100 / DC 1000V	M Ω
Dielectric Strength	AC1000 / 1Minute	V
TC of Resistance	± 400	ppm/K

【Mechanical Data】		
Pulling Force	MAX. 8	N
Pursuitability	MAX. 1	m/s
Mass	650 Approx.	g
Backlash	MAX. 0.25	%

【Environmental Data】		
Category Temperature Range	-5 \sim +60	$^{\circ}$ C
Storage Temperature Range	-5 \sim +60	$^{\circ}$ C

Accessories

Connector Plug: BINDER Parts# 09-0310-00-04
(Mating Cable outer dimension : $\Phi 8$)

■ Handling Instruction

- To avoid burnout of resistive element, do not supply more than 1mA current to terminal 2.
- Don't pull the wire rope over its red marked position.
- Don't extract wire rope over 730mm.
- Don't go suddenly of the wire rope on pulling.
- Operate wire rope with 1m/s max.
- Extremely partial bending of wire rope may be caused deformation of wire rope.