

Conductive Plastic Wire Extension Type Sensor

CP-45F LS Series/CP-45F-150、200LS

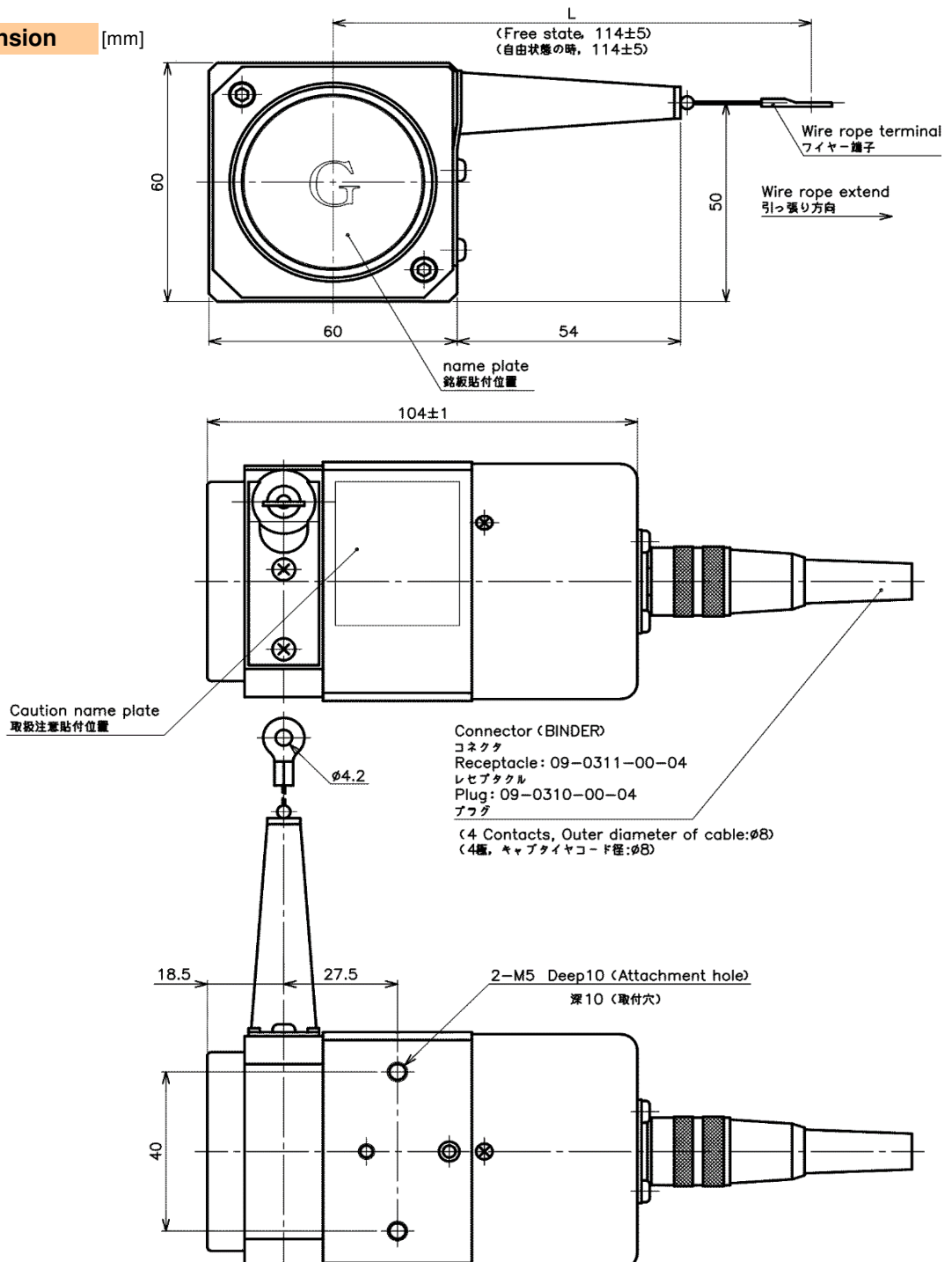


- Wire Extension Type Conductive Plastic Linear Sensor
- Effective Electrical Travel
1,640mm(CP-45F-150LS)
2,235mm(CP-45F-200LS)
- Independent Linearity : $\pm 0.1\%$ (Inner Potentiometer)

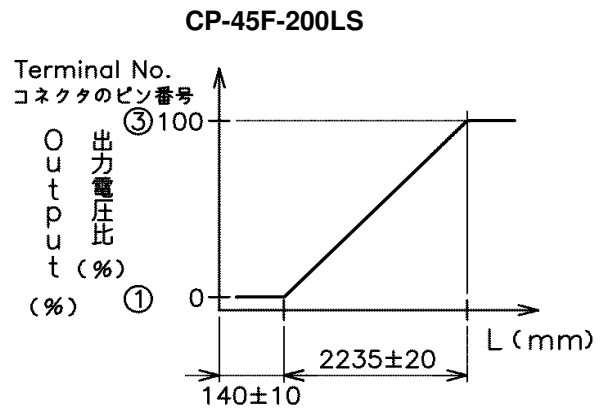
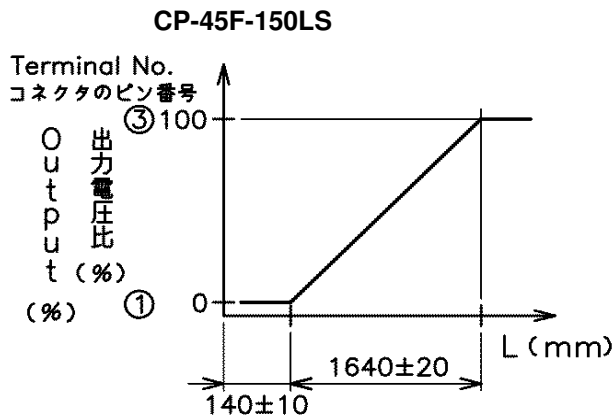
【Material】

- Housing : Aluminum
- Wire : Stainless Steel

Dimension [mm]

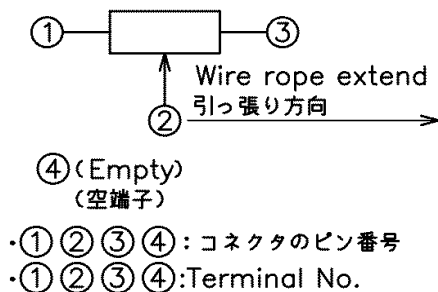


Output Characteristics

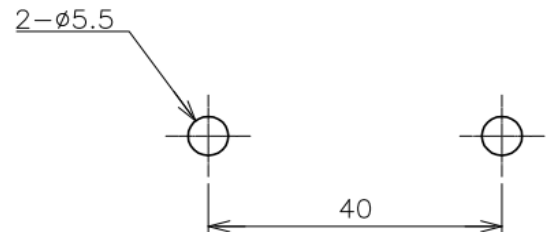


* Output 0% position is started when wire rope is pulled approx. 26mm stroke.
(At the free state, length is 114mm. Refer (L) in the dimension.)

Schematic



Mounting



【Model No.】	CP-45F-150LS	CP-45F-200LS
-------------	--------------	--------------

【Electrical Data】

Effective Electrical Travel	1640±20	2235±20	mm
Total Resistance	1, 2, 5, 10 (Option: 0.5, 20)		kΩ
Total Resistance Tolerance	±15		%
Independent Linearity	±0.1		%
Power Rating	3/70°C		W
Output Smoothness	MAX. 0.1		%
Insulation Resistance	MIN. 100 / DC 1000V		MΩ
Dielectric Strength	AC1000 / 1Minute		V
TC of Resistance	±400		ppm/K

【Mechanical Data】

Pulling Force	MAX. 8	N
Pursuitability	MAX. 1	m/s
Mass	650 Approx.	g
Backlash	MAX. 0.25	%

【Environmental Data】

Category Temperature Range	-5~+60	°C
Storage Temperature Range	-5~+60	°C

Accessories

Connector Plug: BINDER Parts# 09-0310-00-04
(Mating Cable outer dimension : Φ 8)

■ Handling Instruction

- To avoid burnout of resistive element, do not supply more than 1mA current to terminal 2.
- Don't pull the wire rope over its red marked position.
- Don't extract wire rope over 1800mm(CP-45F-150LS) / 2400mm(CP-45F-200LS).
- Don't go suddenly of the wire rope on pulling.
- Operate wire rope with 1m/s max.
- Extremely partial bending of wire rope may be caused deformation of wire rope.