

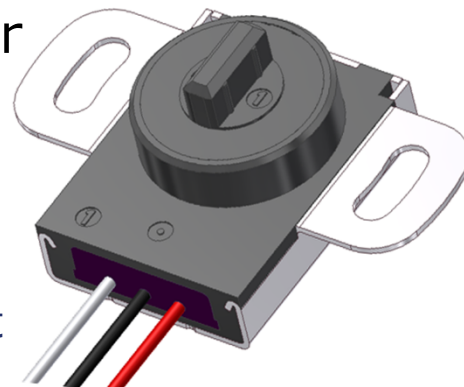


# CP-1HX

Under  
Development

Ideal for small space!  
Slim size contactless Angle Sensor

- ◆ Slim size : Projection is only 4.4mm
- ◆ Shaft : Selectable 2 types
- ◆ Wide Angle, Dual Output, PWM Output
- ◆ High level EMS, EMI & ESD
- ◆ Touchless type (Sensor, Shaft unit separate) will be available on request.



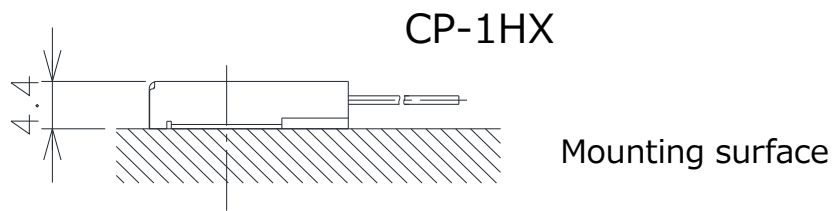
## 【Preliminary specifications】

Effective Elect. Travel	50°~360°
Input voltage	DC5±0.5V
Output variation	Ratio, PWM
Numbers of Output	Single, Dual
Absolute Linearity	±2%FS (FS=50°)
Category Temp. Range	-40°C~+85°C
Vibration	200m/s <sup>2</sup> 5~500Hz
Shock	500m/s <sup>2</sup> 11ms
EMS (Immunity)	ISO11452-2, -3 100V/m
EMI (Emission)	CISPR25
ESD	IEC61000-4-2 ±15kV

Note: Specifications may be changed without notice.

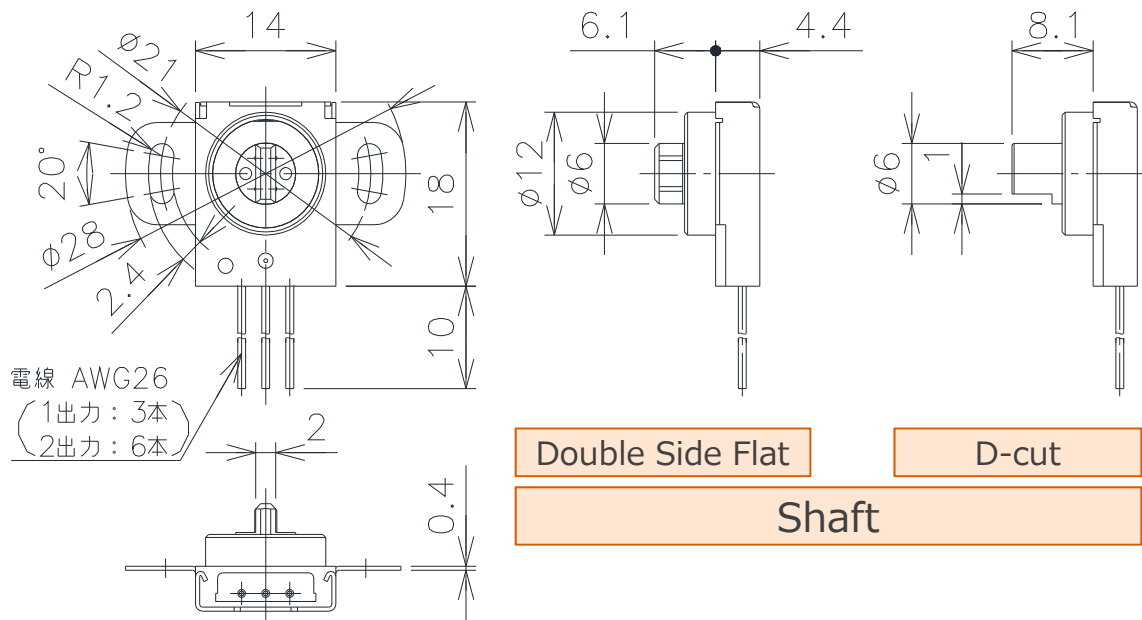
## ◆ Slim fit

Only 4.4mm projection after mounting



## 【Dimension】

- Housing & Shaft: Resin (Mounting part: Metal)
- Electrical circuit part is full-sealed



## 【Variation】

- ▶ Elect. Travel : 50°~360°
- ▶ Output : Ratio or PWM
- ▶ Shaft : Double Side Flat or D-cut
- ▶ Numbers of Output : Single or Dual

Touchless type (Sensor, Shaft unit separate) will be available on request.  
Please contact us.