

Conductive Plastic Linear Sensor

LP-FBS Series - LP-10FBS-3, LP-20FBS-3

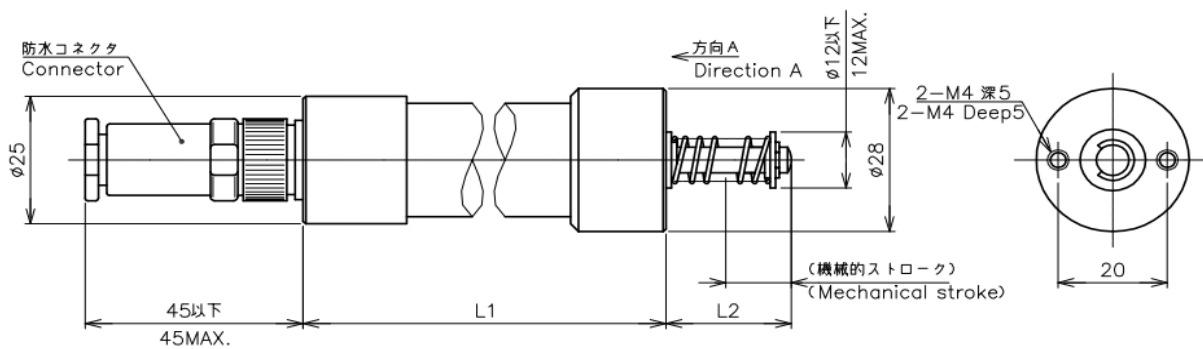


- Conductive Plastic Linear Sensor
- Effective Electrical Travel : 10mm±0.5mm/20mm±0.5mm
- Independent Linearity : ±1%
- Return Spring
- IP Rating : IP54

【Material】

- Housing : Aluminum
- Shaft : Stainless Steel
- Bearing : Copperalloy

Dimension [mm]

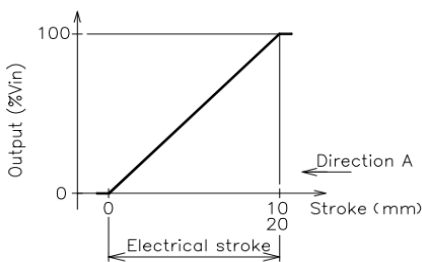


| 【Model No.】 | LP-10FBS-3 | LP-20FBS-3 |
|-------------|------------|------------|
|-------------|------------|------------|

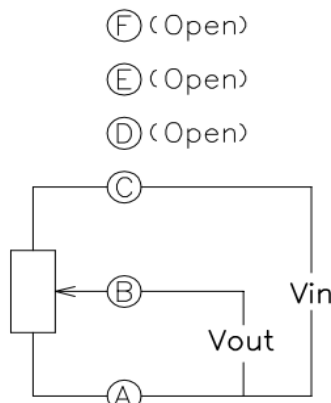
【Housing Length・Mounting】

| | | | |
|--------------------|------|------|----|
| Housing Length(L1) | 66.5 | 76.5 | mm |
| Shaft Length L2 | 23±1 | 51±1 | mm |

Output Characteristics

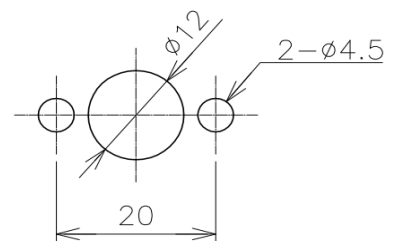


Schematic



• (A), (B), (C), (D), (E), (F)
: Terminal marking

Mounting



| | | |
|--------------------|------------|------------|
| 【Model No.】 | LP-10FBS-3 | LP-20FBS-3 |
|--------------------|------------|------------|

【Electrical Data】

| | | | |
|-----------------------------|--------------------|----------|-------|
| Effective Electrical Travel | 10±0.5 | 20±0.5 | mm |
| Total Resistance | 1 | 1, 2 | kΩ |
| Total Resistance Tolerance | ±20 | | % |
| Independent Linearity | ±1 | | % |
| Power Rating | 0.3/70°C | 0.6/70°C | W |
| Output Smoothness | MAX. 0.1 | | % |
| Insulation Resistance | MIN. 100 / DC 500V | | MΩ |
| Dielectric Strength | AC500 / 1 Minute | | V |
| TC of Resistance | ±400 | | ppm/K |

【Mechanical Data】

| | | | |
|-------------------------|------------------------------|------------------------------|----|
| Total Mechanical Stroke | 12±1 | 22±1 | mm |
| Friction | MAX. 17 (Spring Strength) | MAX. 18 (Spring Strength) | N |
| Mass | 80 Approx. | 100 Approx. | g |

【Environmental Data】

| | | |
|----------------------------|---|-------|
| Life | MIN. 5 Million | Cycle |
| Category Temperature Range | -25~+80 | °C |
| Storage Temperature Range | -25~+80 | °C |
| Vibration | 100m/s ² 500Hz 3axis 2hours each | |
| Shock | 500m/s ² 11ms 6directions 3times | |
| IP Rating | IP54 | |

■ Accessories

Connector plug: Tajimi radio
 Model TC1108-12A10-4F8
 Applicable cable φ8

■ Handling Instruction

•To avoid burnout of resistive element, do not supply more than 1mA current to terminal 2.