

Multi-turn Dial

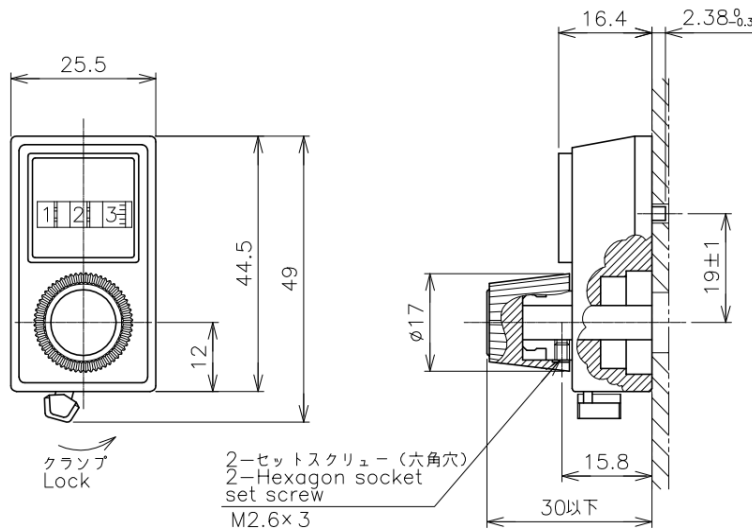
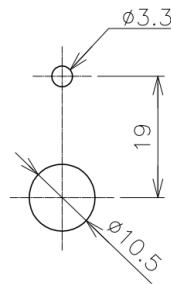
# Dial DM-15



- Multi-turn digital dial

**【Material】**

- Housing : Zinc, Aluminum, Copper alloy, POM

**Dimension [mm]****Mounting****【Specifications】**

Number Of Turns	10	turns
Max. Display Count	999	
Mass	40 Approx	g
Applicable Pot.	HP-18	
Applicable Plate Thickness	1.6~2	mm

**Handling Instruction**

This dial is designed for being mounted on potentiometer only and then being rotated by hand. Please do not rotate dial at high speed by using motors.