

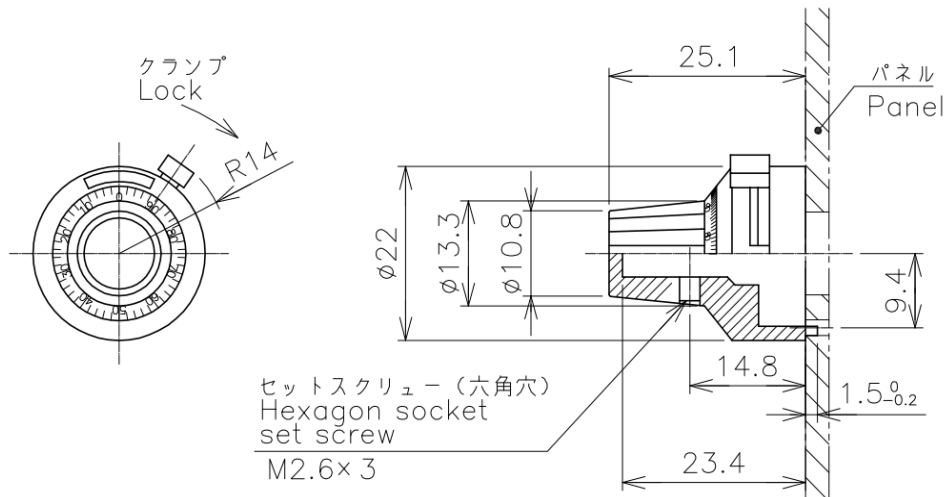
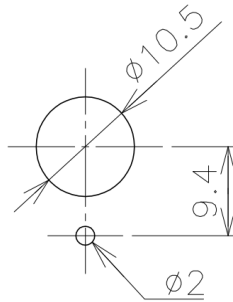
Multi-turn Dial

Dial D-12

· Multi-turn analog dial

【Material】

· Housing : Zinc, Aluminum, Copper alloy, POM

Dimension [mm]**Mounting**

· Applicable Plate Thickness: 1.6~3mm

【Specifications】

Number Of Turns	0~10	Turns
Minor Scale Division	1/500	
Mass	20 Approx.	g
Applicable Pot.	HP-18	
Applicable Plate Thickness	1.6~3	mm

Handling Instruction

This dial is designed for being mounted on potentiometer only and then being rotated by hand.
Please do not rotate dial at high speed by using motors.