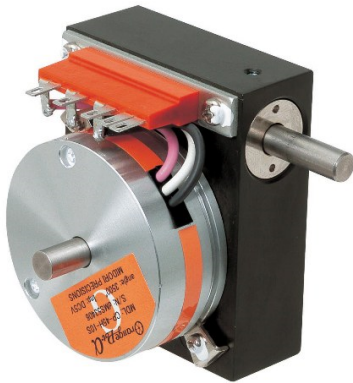


Contactless Angle Sensor

# CP-45H Multi-turn Series - CP-45H-xxS

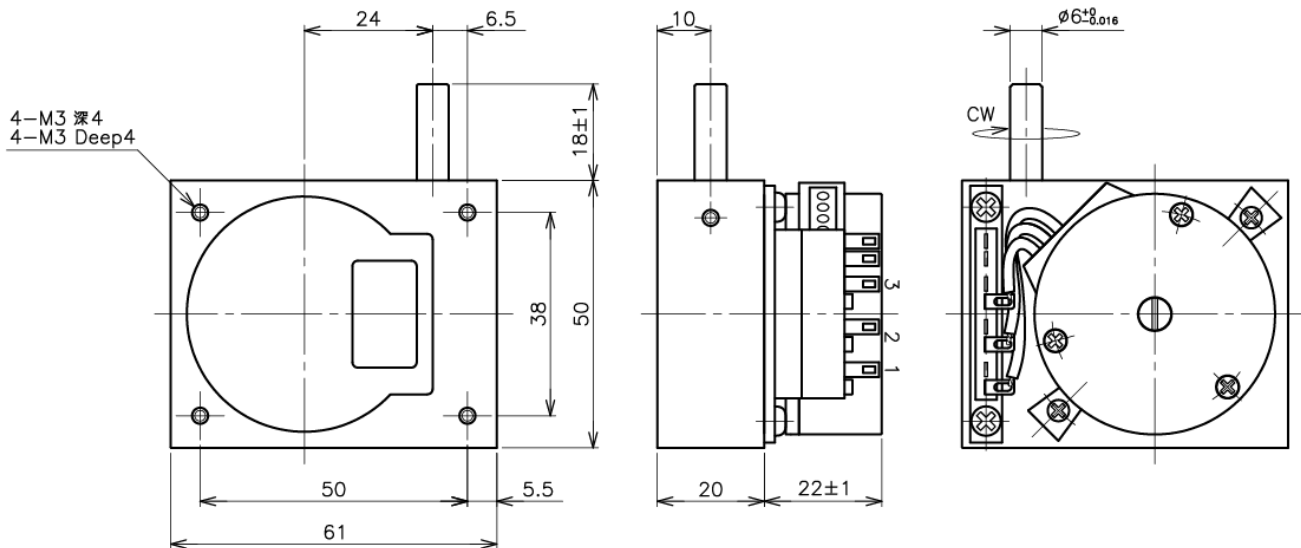


- Contactless Hall-IC Multi-Turn Angle Sensor
- Effective Electrical Travel :
  - ±1750°(CP-45H-10S)
  - ±17500°(CP-45H-100S)
- Absolute Linearity : ±0.4%FS (Independent Linearity±0.2%FS)

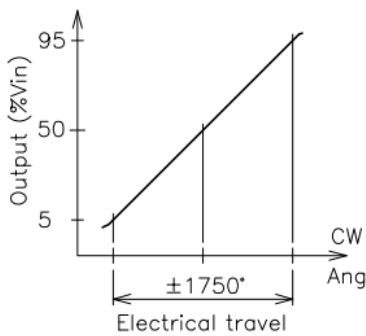
**[Material]**

- Housing : Aluminum
- Shaft : Stainless Steel
- Bearing : Stainless Steel
- Gear Box : Aluminum die-casting

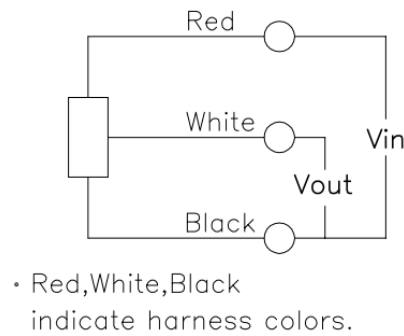
**Dimension [mm]**



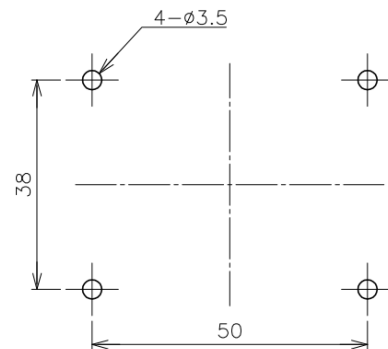
**Output Characteristics**



**Schematic**



**Mounting**



【Model No.】	C P – 45H-10S	C P – 45H-100S	
<b>【Electrical Data】</b>			
Effective Electrical Travel	±1750	±17500	°
Output Range	5~95Vin		%
Absolute Linearity	±0.4(Ind.Linearity:±0.2%FS) (FS=3500°or 35000°)		%FS
Input Voltage	DC5±0.5		V
Load Resistance	MIN. 1		Ω
Supply Current	MAX. 30		mA
Resolution	MAX. 1(MAX. 4000rpm)	MAX. 10(MAX. 40000rpm)	°
Temp. Characteristics -40°C~100°C(Reference Temp.25°C)	±0.3(FS=3500°)	±0.3(FS=35000°)	%FS

<b>【Mechanical Data】</b>			
Total Mechanical Travel	3600 Endless		°
Gear Ratio	10:1	100:1	
Torque	MAX. 4		mN·m
Repeatability	±7(±0.2%FS=3500°) Including Backlash	±70(±0.2%FS=35000°) Including Backlash	°
Thrust Load Tolerance	MAX. 5		N
Radial Load Tolerance	MAX. 16		N
Mass	260 Approx.		g

<b>【Environmental Data】</b>			
Category Temperature Range	-40~+100		°C
Storage Temperature Range	-40~+100		°C
EMS(IEC61000-4-2)	10V/m, 80M~1GHz		
ESD(Case-Each Terminal)	±8kV(IEC61000-4-2)		
ESD(Each Terminal)	±8kV(IEC61000-4-2)		
IP Rating	IP40		

#### ■ Handling Instruction

- Do not use Hall-IC sensor as a variable resistor.
- This products may be influenced from external magnetic field.
- Use this sensor in the place where is protected from ESD.
- It may cause unpresdented mulfunctions in case of electric static generates from apparatus during be used.