

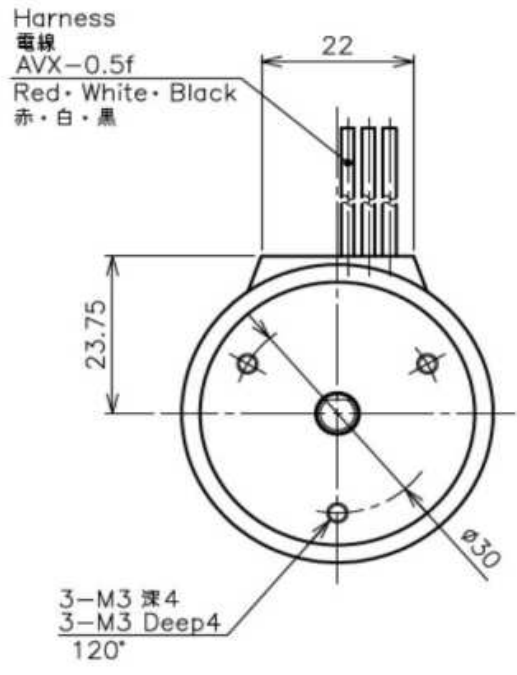
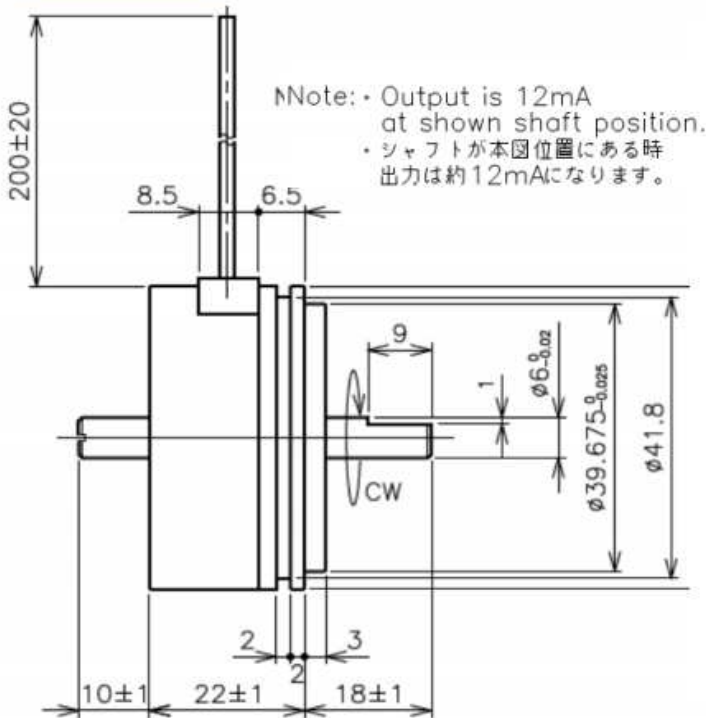
Contactless Hall-IC Angle Sensor

CP-45H Series - CP-45Hx-A

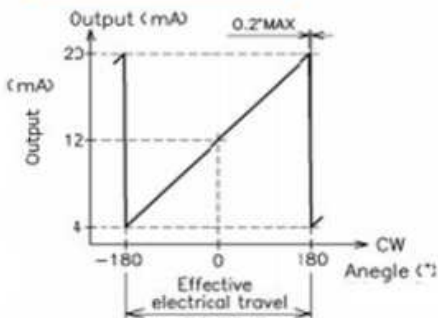


- Contactless Hall-IC Angle Sensor
- Effective Electrical Travel : $\pm 180^\circ$
- Absolute Linearity : $\pm 1\%$ FS
- Input Voltage : DC24 ± 4 V
- Output Range : 4~20mA
- IP Rating : IP54
- Output : Dual Output 6 wires
- 【Option】
- Effective Electrical Travel : $\pm 45^\circ \sim \pm 180^\circ$
- Output : Dual Output 4 wires

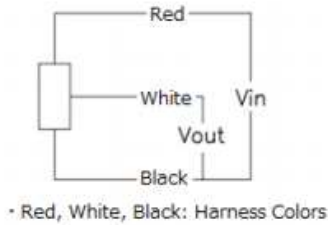
Dimension [mm]



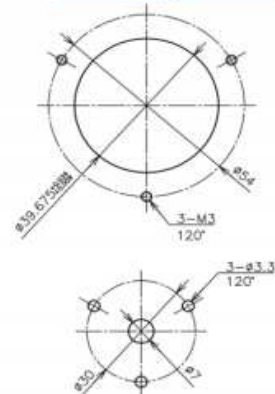
Output Characteristics



Schematic

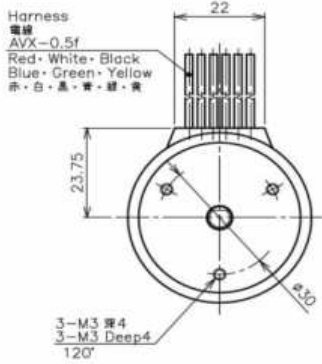


Mounting

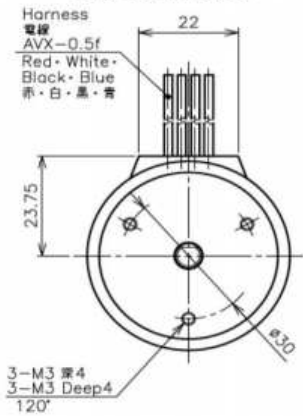


Dimension

Dual Output, 6wires

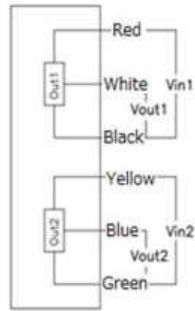


Dual Output, 4wires (Option)



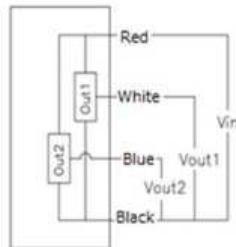
Schematic

Dual Output, 6wires



Each color indicate harness colors

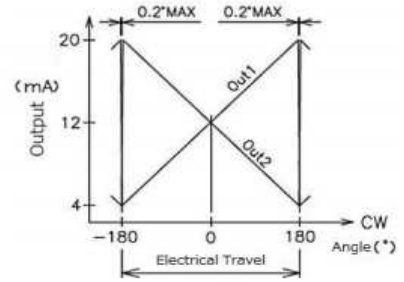
Dual Output, 4wires



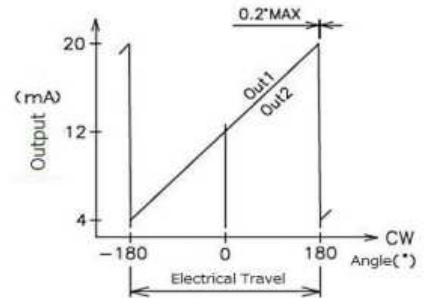
Each color indicate harness colors

Mounting

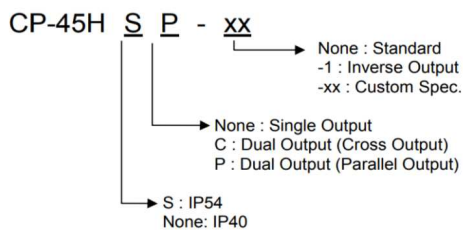
CP-45HC-A Cross Output



CP-45HP-A Parallel Output



CP-45H Model Number Designation



【Electrical Specifications】

Model No.	CP-45H-A	CP-45HS-A	CP-45HC-A	CP-45SC-A	CP-45HP-A	CP-45HSP-A	
Effective Electrical Travel	360						°
Output Range	4~20						mA
Absolute Linearity	±1.0						%FS
Input Voltage	DC24±4						V
Load Resistance	600						Ω
Supply Current	13						mA/1ch
Insulation Resistance	100 MIN /DC50						MΩ
Output Resolution	0.034 (Shaft Rotational Speed 23 rpm)						%FS
Response Time	0.9						ms
Hysteresis	±0.2 MAX.						%FS
Temp. Characteristics -30~85°C (Ref. Temp. 25°C)	±5.4						°
Dual Output Difference	---	100±1.5 (Sum 1.2)			±1.5		%Vin

【Mechanical Specifications】

Model No.	CP-45H-A	CP-45HS-A	CP-45HC-A	CP-45SC-A	CP-45HP-A	CP-45HSP-A	
Total Mechanical Travel	360 Endless						°
Torque	1.8	30	1.8	30	1.8	30	mN·m
Thrust Load Tolerance	2						N
Radial Load Tolerance	6						N
Mass	Approx. 100						g

【Environmental Specifications】

Model No.	CP-45H-A	CP-45HS-A	CP-45HC-A	CP-45SC-A	CP-45HP-A	CP-45HSP-A	
Life Cycles	10M (Room Temp. , No Load, CW/ CCW)						Cycle
Category Temp. Range	-40~+100 (No condensation)						°C
Storage Temp. Range	-40~+100 (No condensation)						°C
Vibration	5~500Hz(6min) 200m/s ² (20G) 3directions 4hours each						
Shock	1000m/s ² (100G) 6directions 3times						
E M S	100V/m 1M~1GHz (ISO 11452)						
ESD (Case to Each Terminal)	±15MAX. (IEC 61000-4-2)						kV
ESD (Between Each Terminal)	±15MAX. (IEC 61000-4-2)						kV
IP Level	IP40	IP54	IP40	IP54	IP40	IP54	

■ Handling Instruction

- This product may be influenced from external magnetic field.
- Use this sensor in the place where is protected from ESD.