

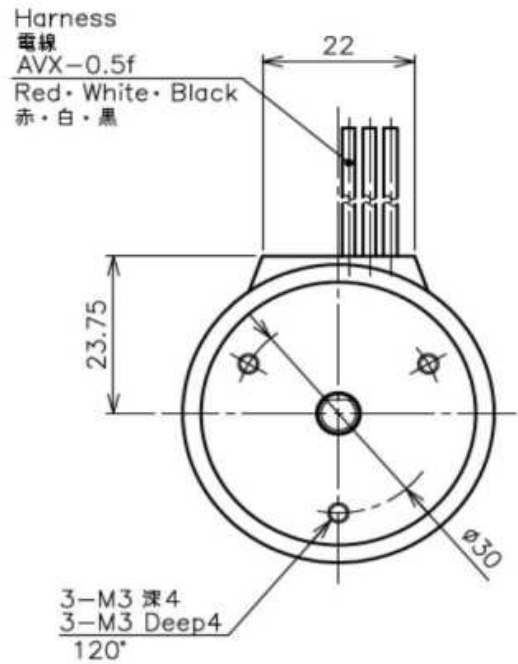
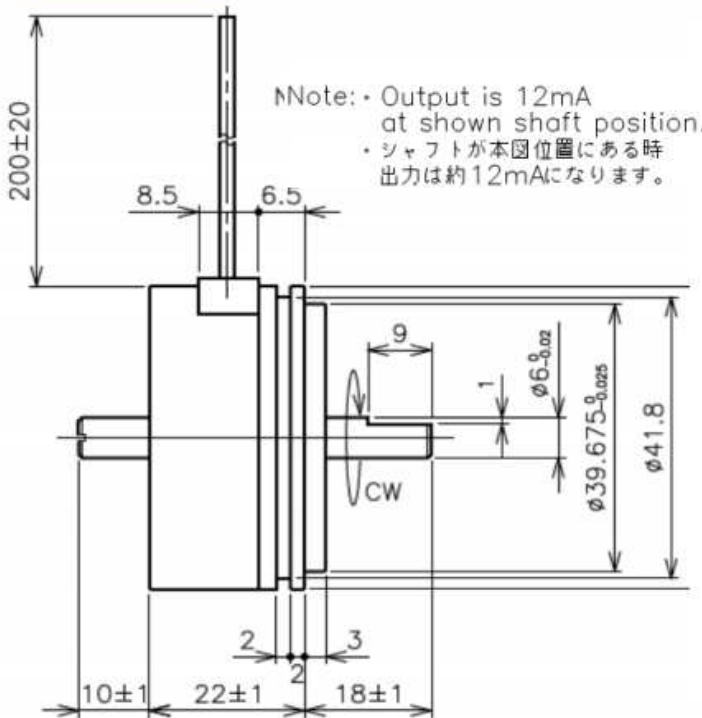
Contactless Hall-IC Angle Sensor

CP-45H Series - CP-45Hx-A

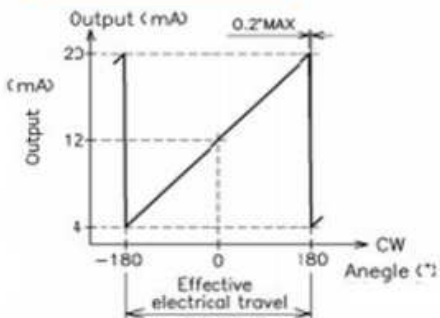


- Contactless Hall-IC Angle Sensor
 - Effective Electrical Travel : ±180°
 - Absolute Linearity : ±1%FS
 - Input Voltage : DC24±4V
 - Output Range : 4~20mA
 - IP Rating : IP54
 - Output : Dual Output 6 wires
- 【Option】
- Effective Electrical Travel : ±45°~±180°
 - Output : Dual Output 4 wires

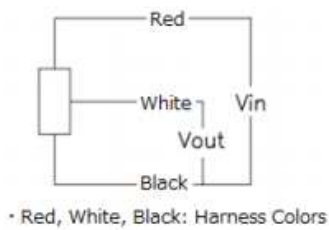
■ Dimension [mm]



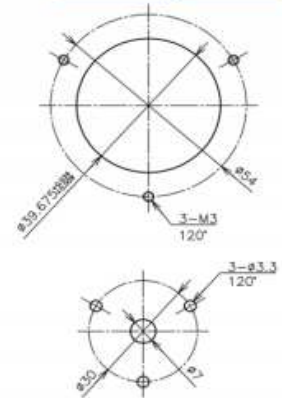
■ Output Characteristics



■ Schematic

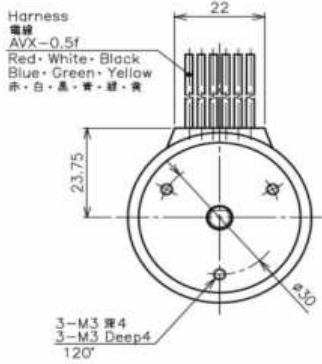


■ Mounting

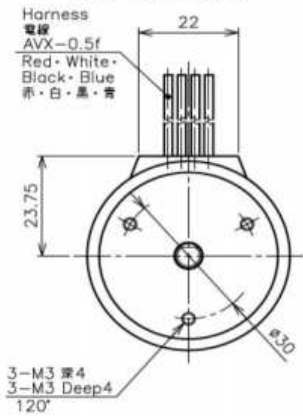


■ Dimension

Dual Output, 6wires

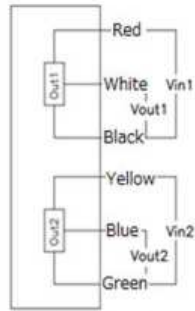


Dual Output, 4wires (Option)



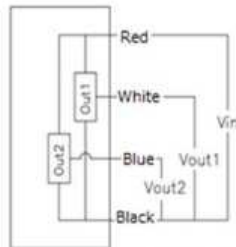
■ Schematic

Dual Output, 6wires



Each color indicate harness colors

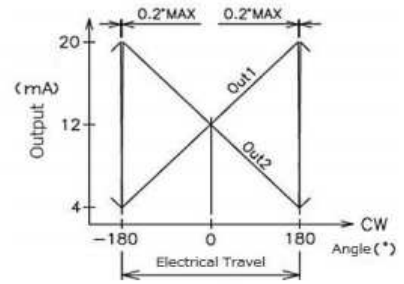
Dual Output, 4wires



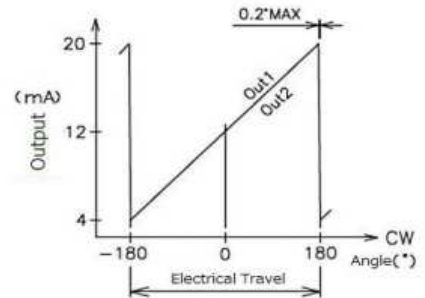
Each color indicate harness colors

■ Mounting

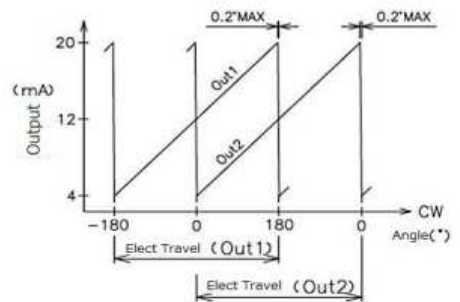
CP-45HC-A Cross Output



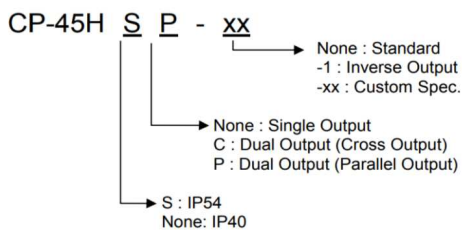
CP-45HP-A Parallel Output



CP-45HP-A (180°Phase Output)



■ CP-45H Model Number Designation



【Electrical Specifications】

Model No.	CP-45H-A	CP-45HS-A	CP-45HC-A	CP-45SC-A	CP-45HP-A	CP-45HSP-A	
Effective Electrical Travel	360						°
Output Range	4~20						mA
Absolute Linearity	±1.0						%FS
Input Voltage	DC24±4						V
Load Resistance	600						Ω
Supply Current	13						mA/1ch
Insulation Resistance	100 MIN /DC50						MΩ
Output Resolution	0.034 (Shaft Rotational Speed 23 rpm)						%FS
Response Time	0.9						ms
Hysteresis	±0.2 MAX.						%FS
Temp. Characteristics -30~85°C (Ref. Temp. 25°C)	±5.4						°
Dual Output Difference	---	100±1.5 (Sum 1.2)			±1.5		%Vin

【Mechanical Specifications】

Model No.	CP-45H-A	CP-45HS-A	CP-45HC-A	CP-45SC-A	CP-45HP-A	CP-45HSP-A	
Total Mechanical Travel	360 Endless						°
Torque	1.8	30	1.8	30	1.8	30	mN·m
Thrust Load Tolerance	2						N
Radial Load Tolerance	6						N
Mass	Approx. 100						g

【Environmental Specifications】

Model No.	CP-45H-A	CP-45HS-A	CP-45HC-A	CP-45SC-A	CP-45HP-A	CP-45HSP-A	
Life Cycles	10M (Room Temp. , No Load, CW/ CCW)						Cycle
Category Temp. Range	-40~+100 (No condensation)						°C
Storage Temp. Range	-40~+100 (No condensation)						°C
Vibration	5~500Hz(6min) 200m/s ² (20G) 3directions 4hours each						
Shock	1000m/s ² (100G) 6directions 3times						
E M S	100V/m 1M~1GHz (ISO 11452)						
ESD (Case to Each Terminal)	±15MAX. (IEC 61000-4-2)						kV
ESD (Between Each Terminal)	±15MAX. (IEC 61000-4-2)						kV
IP Level	IP40	IP54	IP40	IP54	IP40	IP54	

■ Handling Instruction

- This product may be influenced from external magnetic field.
- Use this sensor in the place where is protected from ESD.