

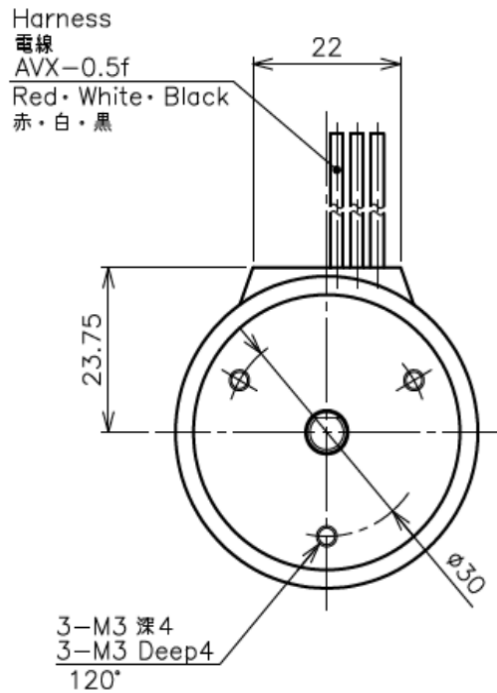
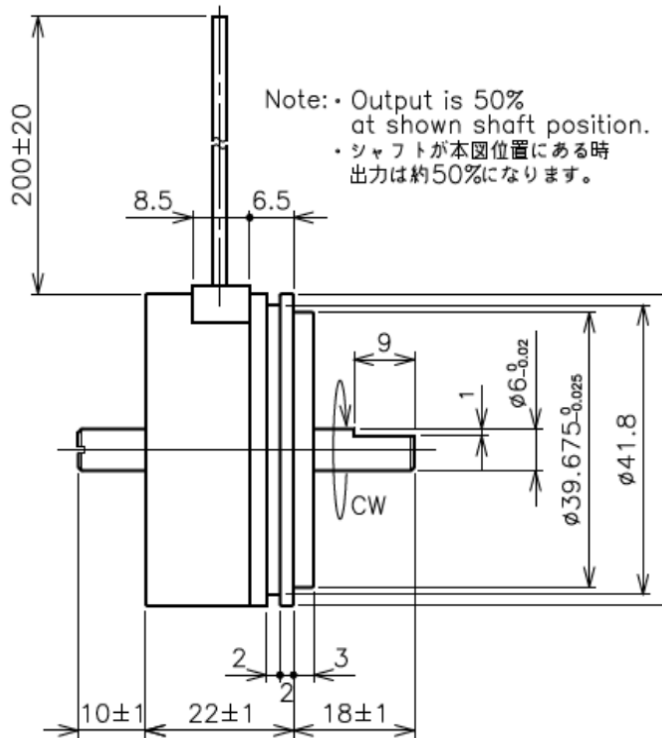
Contactless Hall-IC Angle Sensor

CP-45H Series - CP-45Hx-5V

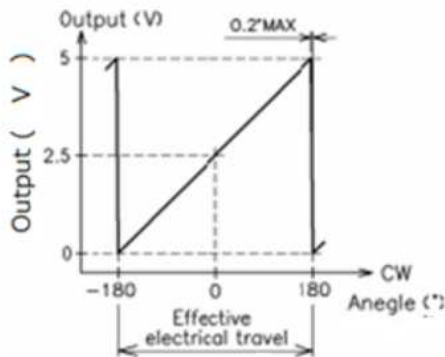


- Contactless Hall-IC Angle Sensor
- Effective Electrical Travel : $\pm 180^\circ$
- Absolute Linearity : $\pm 1\%FS$
- Input Voltage : DC8~32V
- Output Range : DC0~5V
- IP Rating : IP54
- Output : Dual Output 6 wires
- 【Option】
- Effective Electrical Travel : $\pm 45^\circ \sim \pm 180^\circ$
- Inverse output is available by programming.
- Output : Dual Output 4 wires

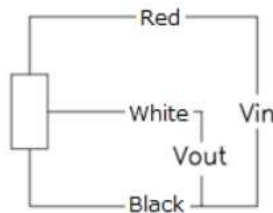
Dimension [mm]



Output Characteristics

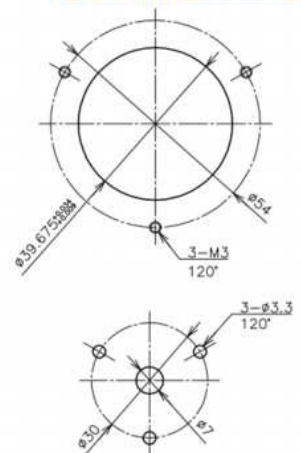


Schematic



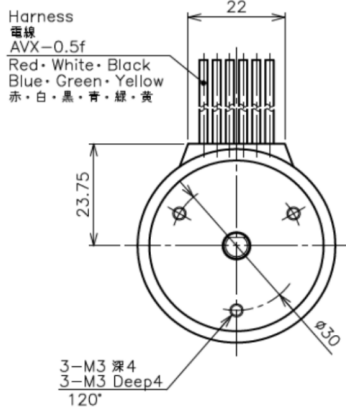
• Red, White, Black: Harness Colors

Mounting



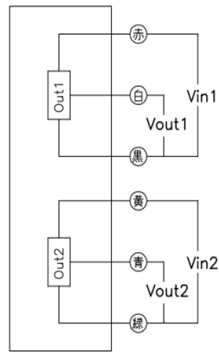
■ Dimension [mm]

Dual Output, 6wires



■ Schematic

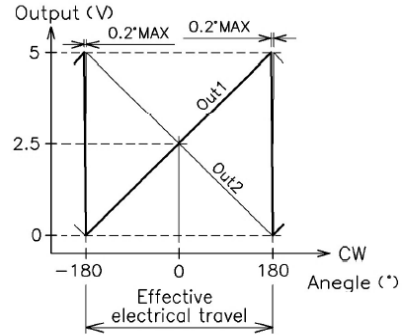
Dual Output, 6wires



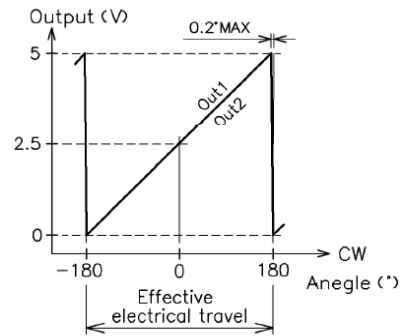
・各色は、電線色を示す。

■ Output Characteristic:

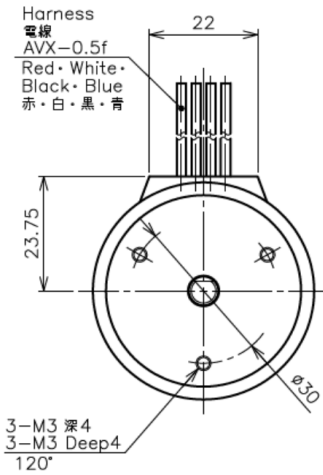
CP-45HC Cross Output



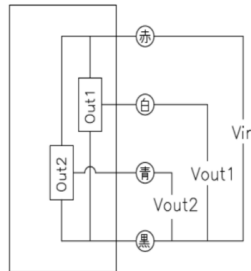
CP-45HP Parallel Output



Dual Output, 4wires (Option)

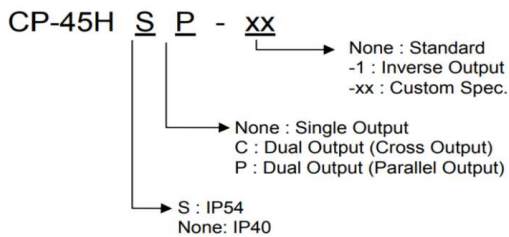


Dual Output, 4wires (Option)



・各色は、電線色を示す。

■ CP-45H Model Number Designation



【Electrical Specifications】

Model No.	CP-45H-5V	CP-45HS-5V	CP-45HC-5V	CP-45SC-5V	CP-45HP-5V	CP-45HSP-5V	
Effective Electrical Travel	360						°
Output Range	0~5						V
Absolute Linearity	±1.0						%FS
Input Voltage	DC8~32						V
Load Resistance	10 MIN.						kΩ
Supply Current	13						mA
Insulation Resistance	100 MIN./DC50						MΩ
Output Resolution	12(0~100%Vin) (Shaft Rotational Speed 16rpm. MAX.)						bit
Response Time	0.9						ms
Hysteresis	±0.2 MAX.						%FS
Temp. Characteristics -40~100°C(Ref. Temp. 25°C)	±3.6 MAX.						°
Dual Output Difference	---	100±1.5 (Sum 1,2)			±1.5		%Vin

【Mechanical Specifications】

Model No.	CP-45H-5V	CP-45HS-5V	CP-45HC-5V	CP-45SC-5V	CP-45HP-5V	CP-45HSP-5V	
Total Mechanical Travel	360 Endless						°
Torque	1.8	30	1.8	30	1.8	30	mN·m
Thrust Load Tolerance	2						N
Radial Load Tolerance	6						N
Mass	Approx. 100						g

【Environmental Specifications】

Model No.	CP-45H-5V	CP-45HS-5V	CP-45HC-5V	CP-45SC-5V	CP-45HP-5V	CP-45HSP-5V	
Life Cycle	10M (Room Temp., No Load, CW/CCS)						Cycle
Category Temp. Range	-40~+100 (No condensation)						°C
Storage Temp. Range	-40~+100 (No condensation)						°C
Vibration	5~500Hz(6 min) 200m/s ² (20G) 3directions 4hours each						
Shock	1000m/s ² (100G) 6directions 3times						
EMS	100V/m 1M~1GHz (ISO 11452)						
ESD (Case to Each Terminal)	±15 MAX. (IEC 61000-4-2)						kV
ESD (Between Each Terminal)	±15 MAX. (IEC 61000-4-2)						kV
IP Level	IP40	IP54	IP40	IP54	IP40	IP54	

■ Handling Instruction

- This product may be influenced from external magnetic field.
- Use this sensor in the place where is protected from ESD.