

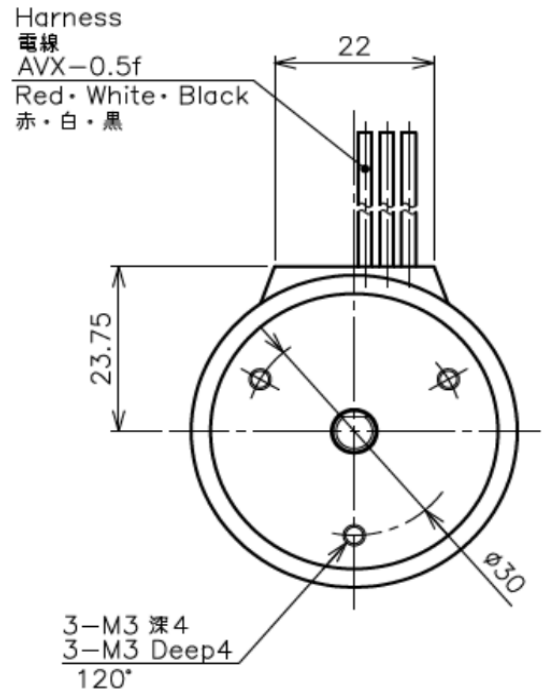
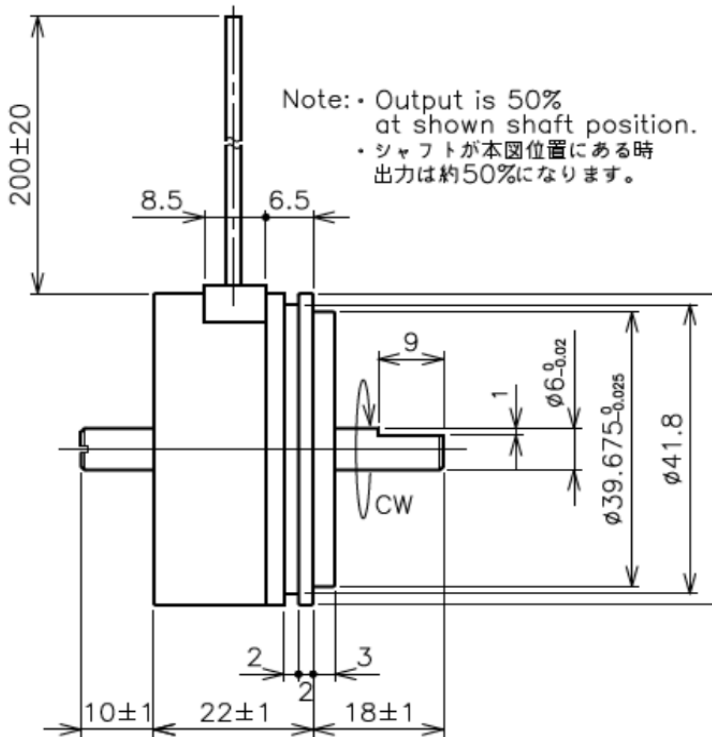
Contactless Hall-IC Angle Sensor

# CP-45H Series - CP-45Hx-10V

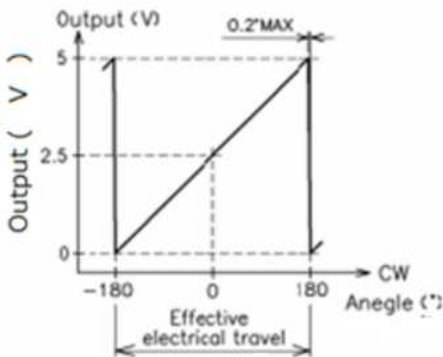


- Contactless Hall-IC Angle Sensor
- Effective Electrical Travel :  $\pm 180^\circ$
- Absolute Linearity :  $\pm 1\%FS$
- Input Voltage : DC14~32V
- Output Range : DC0~10V
- IP Rating : IP54
- Output : Dual Output 6 wires
- 【Option】
- Effective Electrical Travel :  $\pm 45^\circ \sim \pm 180^\circ$
- Inverse output is available by programming.
- Output : Dual Output 4 wires

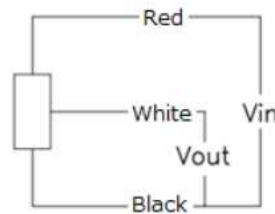
## Dimension [mm]



## Output Characteristics

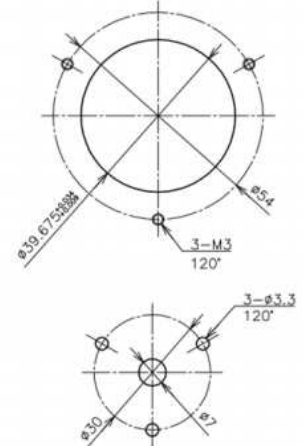


## Schematic



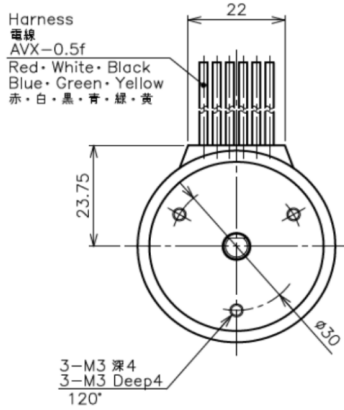
• Red, White, Black: Harness Colors

## Mounting



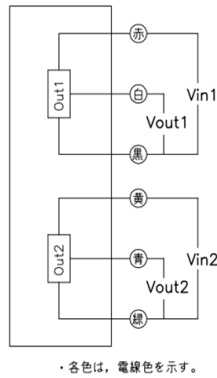
■Dimension [mm]

Dual Output, 6wires



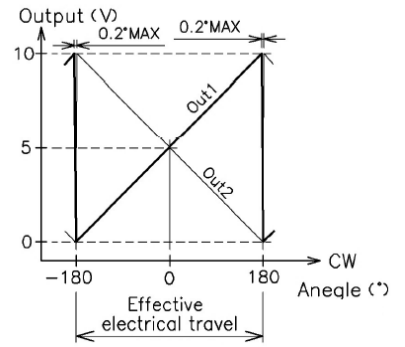
■Schematic

Dual Output, 6wires

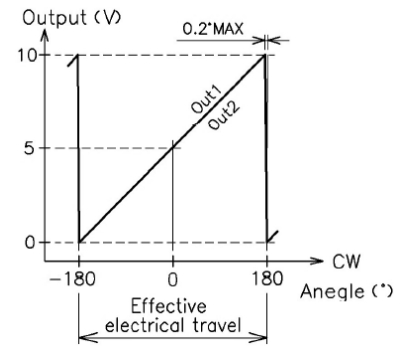


■Output Characteristics

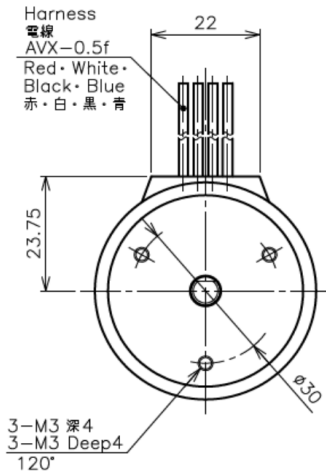
CP-45HC Cross Output



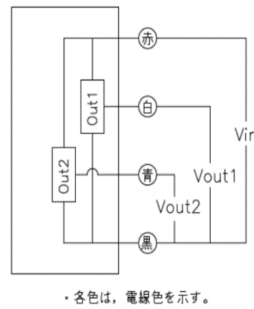
CP-45HP Parallel Output



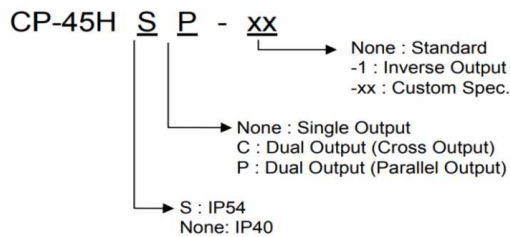
Dual Output, 4wires (Option)



Dual Output, 4wires (Option)



■CP-45H Model Number Designation



**【Electrical Specifications】**

Model No.	CP-45H-10V	CP-45HS-10V	CP-45HC-10V	CP-45SC-10V	CP-45HP-10V	CP-45HSP-10V	
Effective Electrical Travel	360						°
Output Range	0~10						V
Absolute Linearity	±1.0						%FS
Input Voltage	DC14~32						V
Load Resistance	10 MIN.						kΩ
Supply Current	13						mA
Insulation Resistance	100 MIN./DC50						MΩ
Output Resolution	12(0~100%Vin) (Shaft Rotational Speed 16rpm. MAX.)						bit
Response Time	0.9						ms
Hysteresis	±0.2 MAX.						%FS
Temp. Characteristics -40~100°C(Ref. Temp. 25°C)	±3.6 MAX.						°
Dual Output Difference	---		100±1.5 (Sum 1,2)			±1.5	%Vin

**【Mechanical Specifications】**

Model No.	CP-45H-10V	CP-45HS-10V	CP-45HC-10V	CP-45SC-10V	CP-45HP-10V	CP-45HSP-10V	
Total Mechanical Travel	360 Endless						°
Torque	1.8	30	1.8	30	1.8	30	mN·m
Thrust Load Tolerance	2						N
Radial Load Tolerance	6						N
Mass	Approx. 100						g

**【Environmental Specifications】**

Model No.	CP-45H-10V	CP-45HS-10V	CP-45HC-10V	CP-45SC-10V	CP-45HP-10V	CP-45HSP-10V	
Life Cycle	10M (Room Temp., No Load, CW/CCS)						Cycle
Category Temp. Range	-40~+100 (No condensation)						°C
Storage Temp. Range	-40~+100 (No condensation)						°C
Vibration	5~500Hz(6 min) 200m/s <sup>2</sup> (20G) 3directions 4hours each						
Shock	1000m/s <sup>2</sup> (100G) 6directions 3times						
EMS	100V/m 1M~1GHz (ISO 11452)						
ESD (Case to Each Terminal)	±15 MAX. (IEC 61000-4-2)						kV
ESD (Between Each Terminal)	±15 MAX. (IEC 61000-4-2)						kV
IP Level	IP40	IP54	IP40	IP54	IP40	IP54	

**■ Handling Instruction**

- This product may be influenced from external magnetic field.
- Use this sensor in the place where is protected from ESD.