

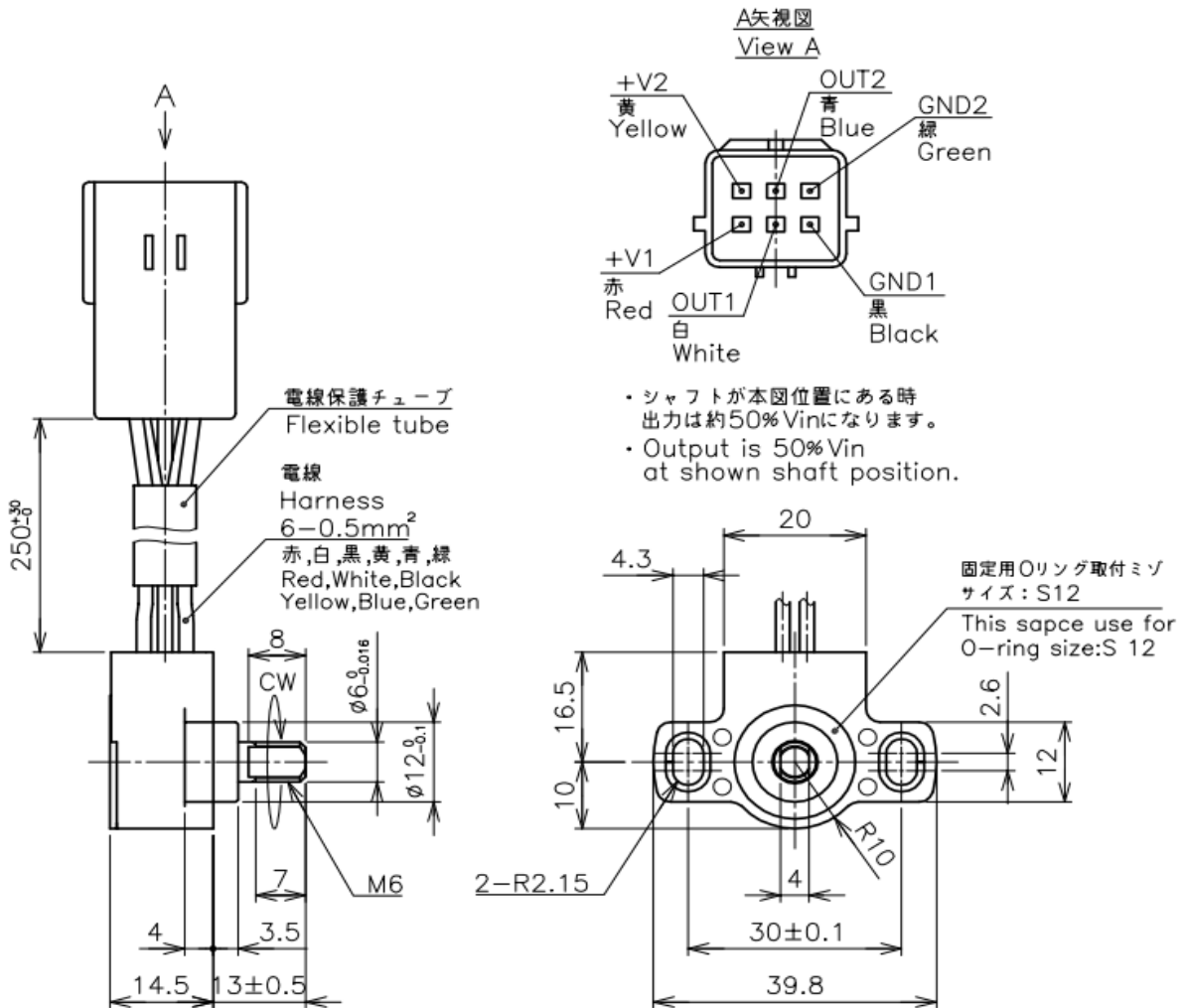
Contactless Angle Sensor

CP-3HABS Series



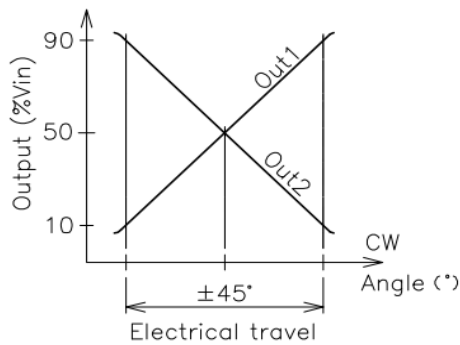
- Contactless Angle Sensor
 - Effective Electrical Travel : $\pm 45^\circ$
 - Absolute Linearity : $\pm 4\%FS$
 - IP Rating : IP67
 - Output : Dual Output
 - Return Spring
 - Shaft : D-Cut, Double Side Flat
- 【Material】
- Housing : PBT
 - Shaft : Stainless Steel
 - Bearing : Copper alloy

■ Dimension [mm]

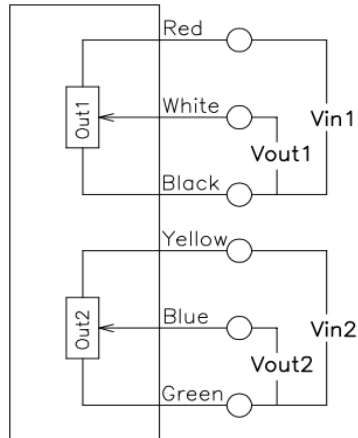


CONNECTOR : TE CONNECTIVITY AMP ECONOSEAL J - MARK II
 CAP HOUSING :174264-2 TAB CONTACT :173600-1
 RUBBER PLUG :2822352-1 DOUBLE LOCK PLATE : 174265-7

Output Characteristics

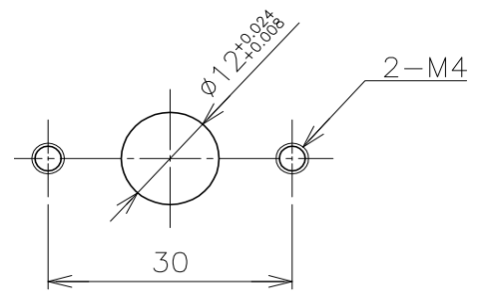


Schematic



• Red,White,Black,Yellow,Blue,Green indicate harness colors.

Mounting



Model Number Designation

CP-3HABS- 2 1 1 - 01

- Shaft : 01=D-Cut, 02=Double Side Flat shaft with
- Return Spring : 0=None, 1=w/Return Spring
- Water proof : 0=IP50, 1=IP65
- Output : 1=Single, 2=Dual

[Model No.]	CP-3HABS
--------------------	----------

[Electrical Data]		
Effective Electrical Travel	±45	°
Output Range	10~90	%Vin
Absolute Linearity (Independent Linearity)	±4(FS=90°) 3%FS)	(± %FS
Input Voltage	DC5±0.5	V
Load Resistance	MIN. 10	kΩ
Supply Current	MAX. 20	mA
Insulation Resistance	100以上/DC50V	MΩ
Resolution	12	bit
Hysteresis	MAX. 0.3	°
Temp. Characteristics -40~125°C (Reference Temp.25°C)	At 0°:±2° At ±45°:±4°	
Two Output Error	±6.4(25°C)	%Vin

[Mechanical Data]		
Total Mechanical Travel	120±5	°
Stopper Strength	1	N·m
Torque	5~60	mN·m
Thrust Load Tolerance	3	N
Radial Load Tolerance	6	N
Mass	30 Approx.	g

[Environmental Data]		
Life	50Million	Cycle
Operating Temp.	-40~+125	°C
Storage Temperature Range	-40~+125	°C
Vibration	200m/s ² 5~500Hz(6min) 3axis 2hours	
Shock	1000m/s ² 6ms 3axis 3times	
EMS	100V/m 200MHz ~1GHz	
ESD(Case-Each Terminal)	±16(IEC61000-4-2)	kV
ESD(Each Terminal)	±8(IEC61000-4-2)	kV
IP Rating	IP65	

Handling Instruction

- This product may be influenced from external magnetic field.
- Use this sensor in the place where is protected from ESD.