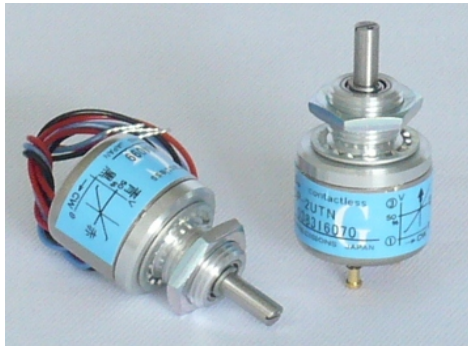


# CP-2UN Series - CP-2UN, CP-2UTN



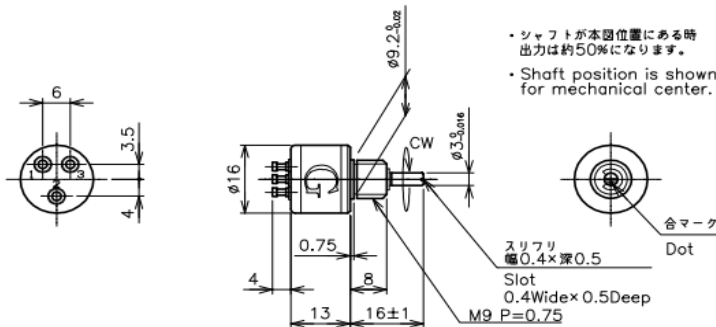
- Contactless Angle Sensor
- Effective Electrical Angle :  $\pm 45^\circ$
- Independent Linearity :  $\pm 2\%FS$
- Bushing mount

**【Material】**

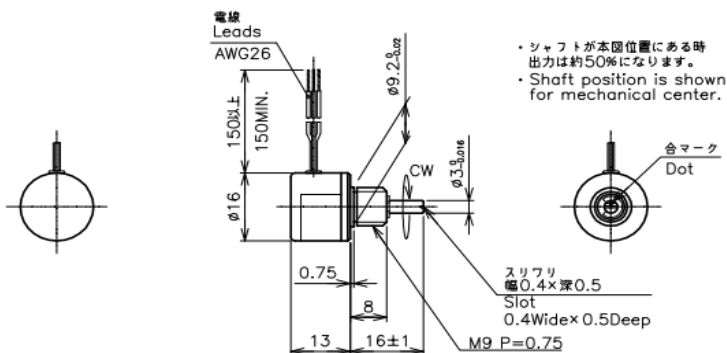
- Housing : Aluminum
- Shaft : Stainless Steel
- Cover : Steel, nickel plate
- Bearing : Stainless steel

■ Dimension [mm]

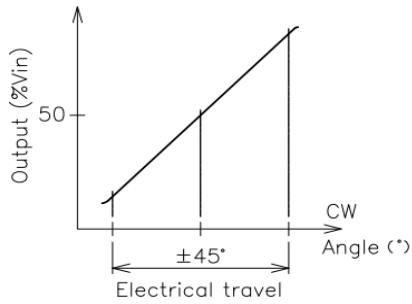
## CP-2UTN



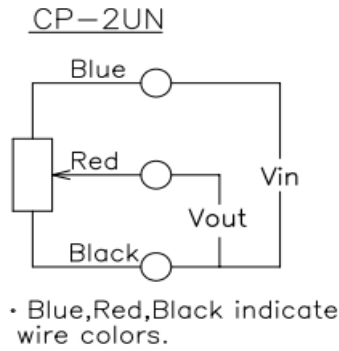
## CP-2UN



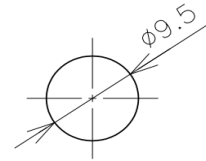
■ Output Characteristics



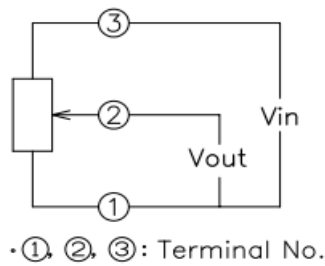
■ Schematic



■ Mounting



**CP-2UTN**



【Model No.】	CP-2UN	CP-2UTN
-------------	--------	---------

【Electrical Data】		
Effective Electrical Travel	±45	°
Output Sensitivity	2/10°MIN.	%Vin
Independent Linearity	±2	%FS
Input Impedance	14±50% ~21)	(7) kΩ
Input Voltage	DC 10 MAX.	V
Load Resistance	5	MΩ
Temp. Characteristics	At 0°:±0.5° At ±45°:±6°	

【Mechanical Data】		
Mechanical Angle	360 Endless	°
Torque	MAX. 0.05	mN·m
Thrust Load Tolerance	1	N
Radial Load Tolerance	5	N
Mass	10 Approx.	g

【Environmental Data】		
Category Temperature Range	-40~+100	°C
Storage Temperature Range	-40~+100	°C
Vibration	200m/s <sup>2</sup> 3axis 2hours each	
Shock	100m/s <sup>2</sup> 3axis 6directions 3times each	

■ Accessories

M9 nut, washer with an inner tooth profile tooth One piece each