

Conductive Plastic Angle Sensor

CP-2FK Series



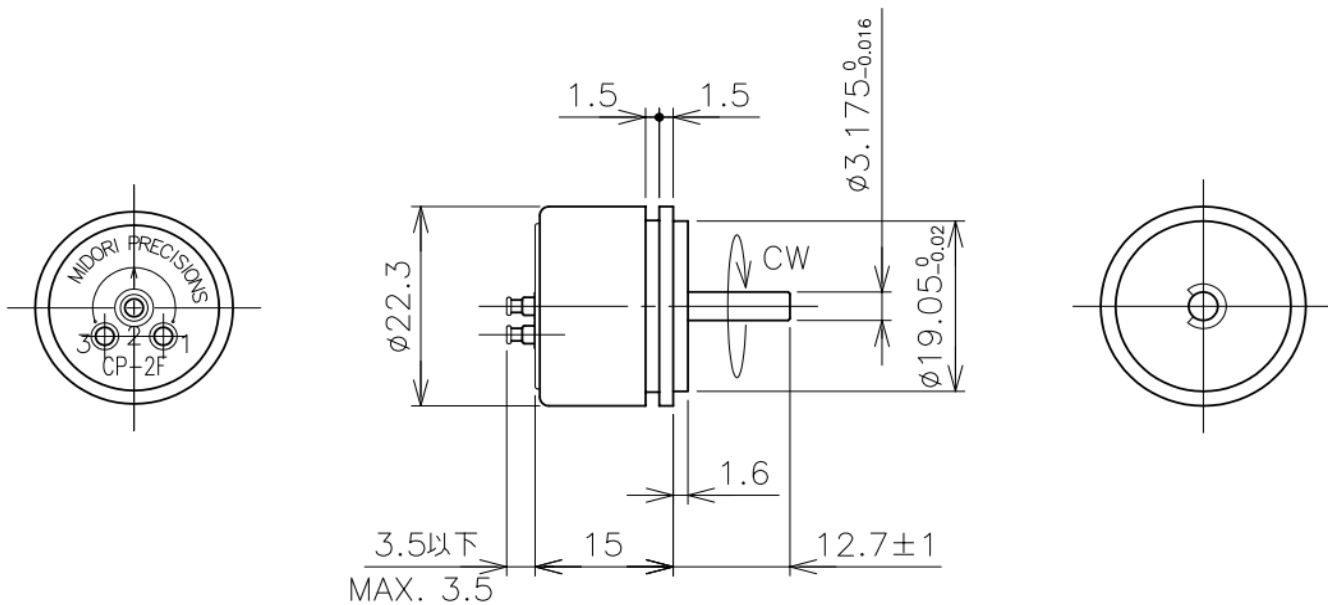
- Conductive Plastic Angle Sensor
- Effective Electrical Travel : 340°
- Independent Linearity : ±1%
- Servo Mount

- CP-2FK(b) : Ball Bearing
- CP-2FK(m) : Metal Sleeve Bearing

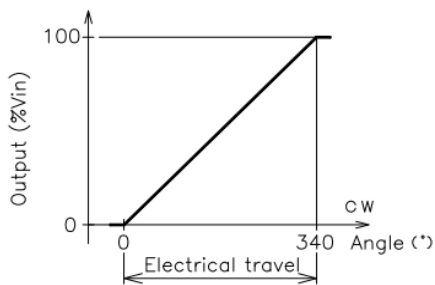
【Material】

- Housing : Aluminum
- Shaft : Stainless Steel
- Bearing :
 - CP-2FK(b) ...Ball Bearing : Stainless Steel
 - CP-2FK(m) ...Metal Sleeve Bearing : Copper Alloy

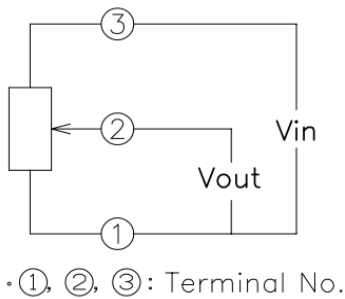
Dimension [mm]



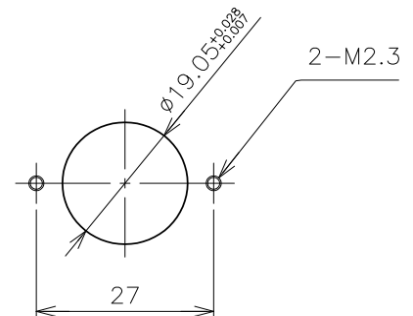
Output Characteristics



Schematic



Mounting



【Model No.】	CP-2FK(b) <Ball Bearing>	CP-2FK(m) <Metal Sleeve Bearing>
--------------------	------------------------------------	--

【Electrical Specifications】

Effective Electrical Travel	340 +2, -3	°
Total Resistance	0.5, 1, 2, 5	kΩ
Total Resistance Tolerance	±20	%
Independent Linearity	±1	%
Rated Dissipation	0.5/50°C	W
Output Smoothness	MAX. 0.1	%
Insulation Resistance	MIN. 100/DC1000V	MΩ
Dielectric Strength	AC1000/1 Minute	V
Temperature Coefficient of Resistance	±400	ppm/K

【Mechanical Specifications】

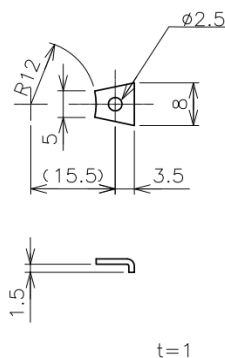
Total Mechanical Travel	360 Endless		°
Torque	MAX. 0.5	MAX. 2	mN·m
Thrust Load Tolerance	2		N
Radial Load Tolerance	5		N
Mass	Approx. 20		g

【Environmental Specifications】

Life Cycles	10 Million	Cycle
Category Temperature Range	-40 - +100	°C
Storage Temperature Range	-40 - +100	°C
Vibration	150m/s ² 2000Hz 3axis 2 hours each	
Shock	500m/s ² 11ms 6 directions 3 times	

■ Accessories

Mounting Cleats : 2 pieces

**■ Handling Instruction**

- To avoid burnout of resistive element, do not supply more than 1mA current to terminal 2.
- Miswiring might cause burnout of resistive element.
- To reduce sliding noise, add load resistance should be more than 100times and less than 1000times of total resistance.
- Slight continuous vibration such as dither might cause short lifetime of the sensor.