

<RoHS Compliance> CP-2HK

FEATURES

- Substitution model of CP-2UK-R200
- Superb Temperature Characteristic and Linearity
- Low cost

Electrical Specifications

Electrical Angle	±40°
Output Range	10~90%Vin
Absolute Linearity (Independent. Linearity)	±1%FS (FS=80°) (±0.5%FS)
Input Voltage	DC5±0.5V
Load Resistance	10KΩ MIN.
Supply Current	11mA MAX.
Resolution	12bit
Hysteresis	0.1° MAX.
Temp.Characteristics -40~100°C (ReferenceTemp.25°C)	0° position : ±0.5° ±40° position : ±0.5°

Mechanical Specification

Mechanical Angle	360° Endless
Torque	2mN · m MAX.
Weight	Approx.65g
Shaft Radial Load	14N
Shaft Thrust Load	4N

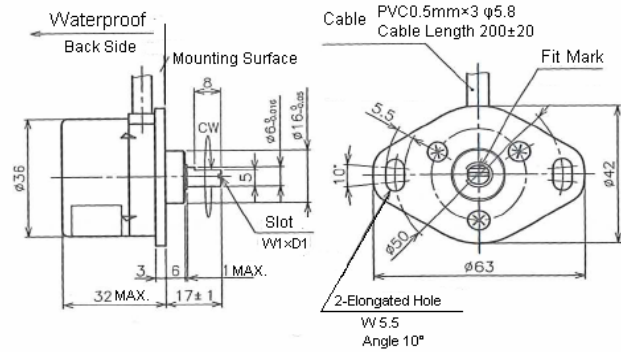
Environmental Specification

Life Cycles	50M Cycle MIN.
Vibration	100m/S ² , 3 axis 2hours each 5~500Hz/6minutes
Shock	1000m/S ² , 3 axis 6directions 3times each
EMS	100V/m 200MHz~1GHz
Operating Temp.	-40~100°C
Storage Temp.	-40~100°C
ESD(Case-Each Terminal)	±12kV(IEC61000-4-2)
ESD(Each Terminal)	±12kV(IEC61000-4-2)
IP Level	IP54 Excluding Seal Between Shaft and Bushing

OPTIONS

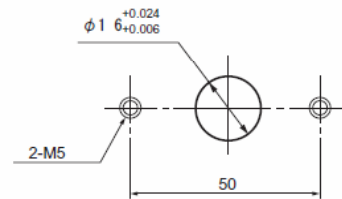
- Electrical Angle: 270° , 300° , 360°

DIMENSION (mm)

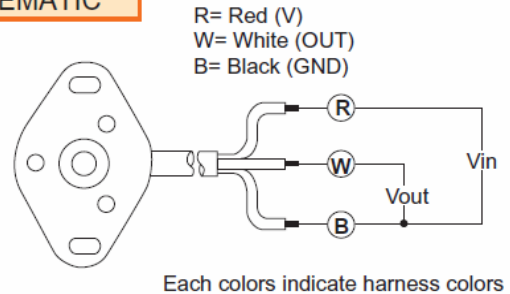


※When Shaft is positioned as shown, output is at approx. 50%

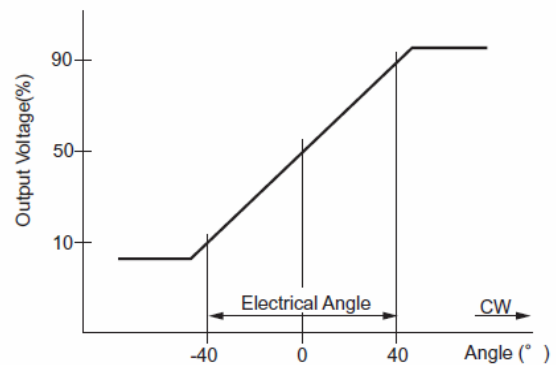
MOUNTING



SCHEMATIC



OUTPUT CHARACTERISTICS



HANDLING INSTRUCTION

- This product may be influenced from external magnetic field of apparatus which generates a magnetic field.
- Use this sensor in the place where is protected from ESD