

RoHS Compliance

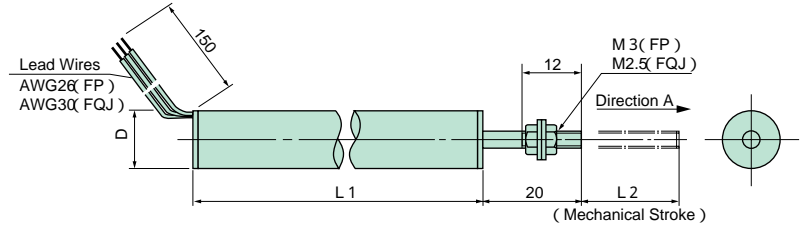
LP-FP series

LP-30FQJ

FEATURES

- Compact & Light weight
- 12mm housing: LP-FP series
- 8mm housing: LP-30FQJ

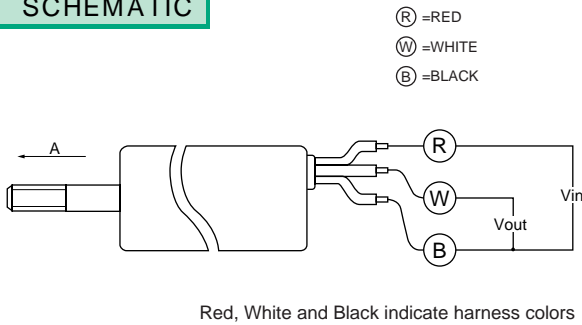
DIMENSION (mm)



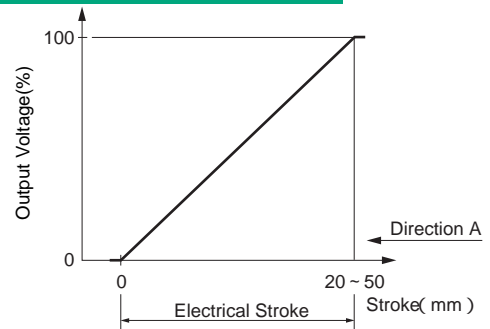
Housing Length

Model No.	LP-20FP	LP-30FP	LP-50FP	LP-30FQJ
Housing Length(L1)	48mm	58mm	78mm	63mm
Mech. Stroke(L2)	22 ± 1mm	32 ± 1mm	52 ± 1mm	35 ± 1mm

SCHEMATIC



OUTPUT CHARACTERISTICS



Electrical Specifications

Model No.	LP-20FP	LP-30FP	LP-50FP	LP-30FQJ
Electrical Stroke	20mm ± 0.5mm	30mm ± 0.5mm	50mm ± 0.5mm	30mm ± 0.5mm
Total Resistance	1k			1k
Total Resistance Tolerance	± 20%			
Independent Linearity	± 1%			
Power Rating	0.6W/70	0.9W/70	1.5W/70	0.9W/70
Output Smoothness	0.1% MAX.			
Insulation Resistance	100M MIN. DC 500V			
Dielectric Strength	AC500V 1 Minute			
TC of Resistance	± 1000ppm /			± 400ppm /

Mechanical Specifications

Friction	0.4N MAX.		0.3N MAX.
Weight	Approx. 18g	Approx. 20g	Approx. 15g

MOUNTING HARDWARE

2-M3 Nuts, 2-Washers