

RoHS Compliance

CPP-45-10SX

FEATURES

- Multi turns
- Setting CPP-45 and Anti-Backlash gears in an aluminum die-casting housing

Electrical Specifications

Electrical Angle	3500 ° $\begin{smallmatrix} +20 \\ -30 \end{smallmatrix}$
Total Resistance	0.5, 1, 2, 5, 10, 20k
Total Resistance Tolerance	± 15%
Independent Linearity	± 0.3%
Power Rating	3W / 70
Output Smoothness	0.1% MAX.
Insulation Resistance	100M MIN. DC 1000V
Dielectric Strength	AC 1000V 1 Minute
TC of Resistance	± 400ppm /

Mechanical Specifications

Gear Ratio	10 : 1
Torque	4mN·m MAX.
Repeatability	0.03% MAX. (Including Backlash)
Weight	Approx. 220g
Radial Load	16N MAX.
Thrust Load	5N MAX.

Enviromental Specifications

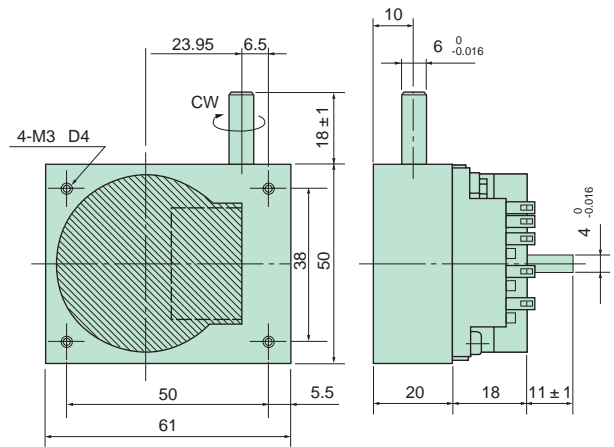
Operating Temperature	40 ~ 125
------------------------------	----------

OPTIONS

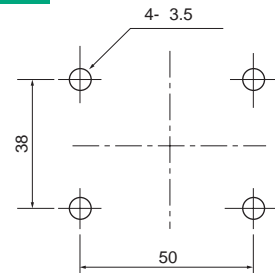
- Independent Linearity : ± 0.1%
- Gear ratio

Gear ratio	Model No.
24 : 1	CPP-45-24SX
35 : 1	CPP-45-35SX
60 : 1	CPP-45-60SX
100 : 1	CPP-45-100SX

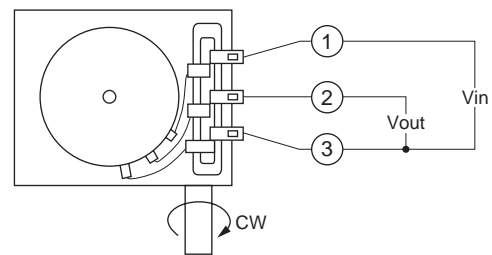
DIMENSION (mm)



MOUNTING



SCHEMATIC



1,2,3 indicate terminal No.

OUTPUT CHARACTERISTICS

