

RoHS Compliance

CP-2F-10S-RB

FEATURES

- Multi-Turn Potentiometer
- Setting CP-element and Anti-Backlash gears in a compact package
- Ball bearing
- Reliable wide angle position sensing solution

Electrical Specifications

Electrical Angle	3400 $^{+20}_{-30}$ °
Total Resistance	1、 2、 5k
Total Resistance Tolerance	± 20%
Independent Linearity	± 1.5% (Including Backlash)
Power Rating	0.5W / 50
Output Smoothness	0.1% MAX.
Insulation Resistance	100M MIN. DC 1000V
Dielectric Strength	AC 1000V 1 Minute
TC of Resistance	± 400ppm /

Mechanical Specifications

Gear Ratio	10 : 1
Torque	4mN·mMAX.
Repeatability	0.5% MAX. (Including Backlash)
Weight	Approx. 30g
Radial Load	5N MAX.
Thrust Load	3N MAX.

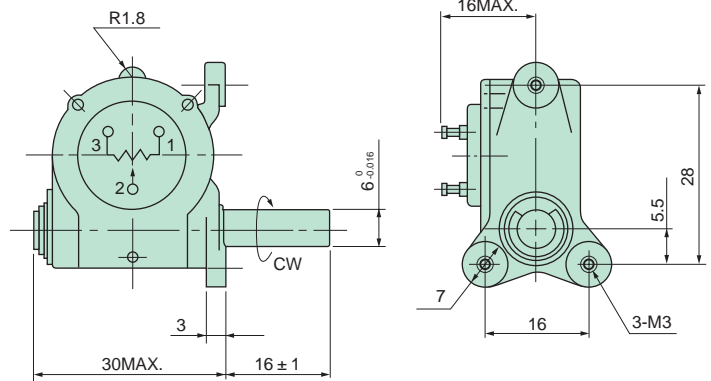
Environmental Specifications

Operating Temperature	40 ~ 100
------------------------------	----------

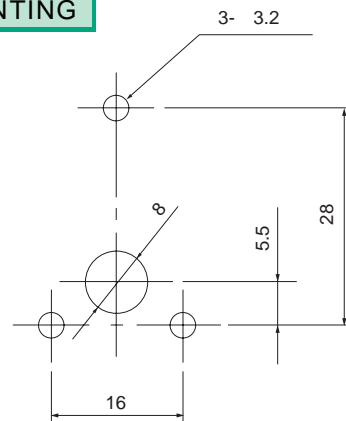
OPTIONS

- Shaft D-cut type: CP-2F-10S-RB-1

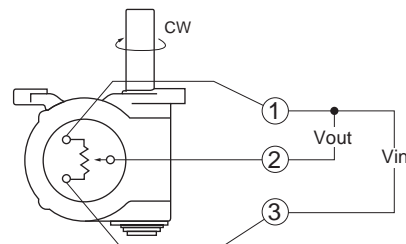
DIMENSION (mm)



MOUNTING



SCHEMATIC



1,2,3 indicate terminal No.

OUTPUT CHARACTERISTICS

