

RoHS Compliance

CPP-45SB

FEATURES

- Suitable for Applications in harsh environment (High Humidity, Dusty and Greasy)

Electrical Specifications

Electrical Angle	350 ° $\pm 2^{\circ}$ / -3°
Total Resistance	0.5、1、2、5、10、20k
Total Resistance Tolerance	$\pm 15\%$
Independent Linearity	$\pm 0.3\%$
Power Rating	3W/70
Output Smoothness	0.1% MAX.
Insulation Resistance	100M MIN. DC 1000V
Dielectric Strength	AC1000V 1 Minute
TC of Resistance	$\pm 400\text{ppm} /$

Mechanical Specifications

Mechanical Angle	360 °Endless
Torque	15mN·mMAX.
Weight	Approx. 60g(+10g/+one section)
Radial Load	9N MAX.
Thrust Load	3N MAX.

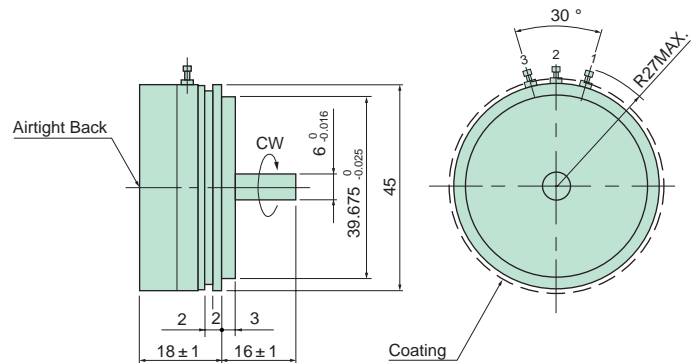
Environmental Specifications

Operating Temperature	30 ~ 90
Vibration	150m / s ² 2000Hz 3 axis 2hours each
Shock	500m / s ² 11ms 6 axis 3times
Life Cycle	10M Cycle MIN.
IP Level	IP 54

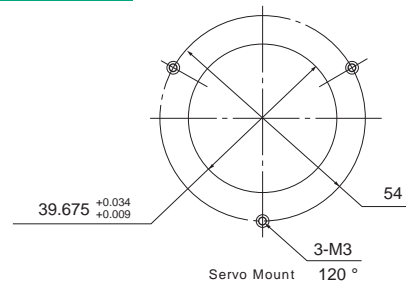
OPTIONS

- Independent Linearity : $\pm 0.1\%$
- Ganging : Up to 2 sections CH=23
- Center Tap
 - A-Type for output
 - B-Type for input
- Screw mount (3-M3 thread holes) : CPP-45SB-3

DIMENSION (mm)

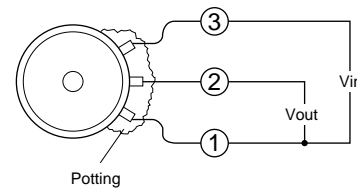


MOUNTING



MOUNTING HARDWARE
Cleats : 3pcs

SCHEMATIC



• We recommend potting treatment at the terminal outlet for water-proof after connected leadwires.

OUTPUT CHARACTERISTICS

