

RoHS Compliance

CPP-45 CPP-45B

FEATURES

- Suitable for precision position sensing applications
- Shaft 4mm : CPP-45
- Shaft 6mm : CPP-45B
- Ball bearing

Electrical Specifications

Electrical Angle	350 ° $+2^{\circ}$ -3°
Total Resistance	0.5, 1, 2, 5, 10, 20k
Total Resistance Tolerance	± 15%
Independent Linearity	± 0.3%
Power Rating	3W/70
Output Smoothness	0.1% MAX.
Insulation Resistance	100M MIN. DC 1000V
Dielectric Strength	AC1000V 1 Minute
TC of Resistance	± 400ppm /

Mechanical Specifications

Mechanical Angle	360 °Endless
Torque	1.8mN·mMAX. (+1.5mN·m/+one section)
Weight	Approx. 60g(+10g/+one section)
Radial Load(MAX.)	5N(CPP-45) , 6N(CPP-45B)
Thrust Load(MAX.)	1N(CPP-45) , 2N(CPP-45B)

Enviromental Specifications

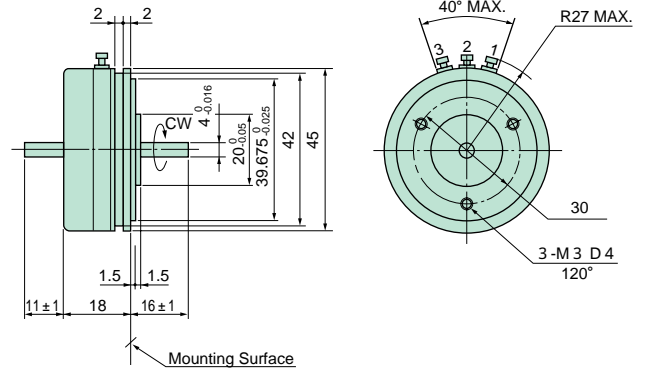
Operating Temperature	40 ~ 120
Vibration	150m / s ² 2000Hz 3 axis 2hours each
Shock	500m / s ² 11ms 6 axis 3times
Life Cycle	10MCycle MIN.

OPTIONS

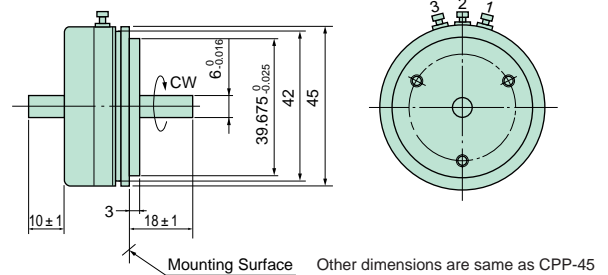
- Independent Linearity : ± 0.1%
- Ganging : Up to 8 sections
- Additional Taps : Up to 8 taps
- For output : Type (A)··· No shorted angle
- For input : Type (B)··· 3 ° shorted on Tap
- Center Tap
- For output : Type C.T(A)
- For input : Type C.T(B)

DIMENSION (mm)

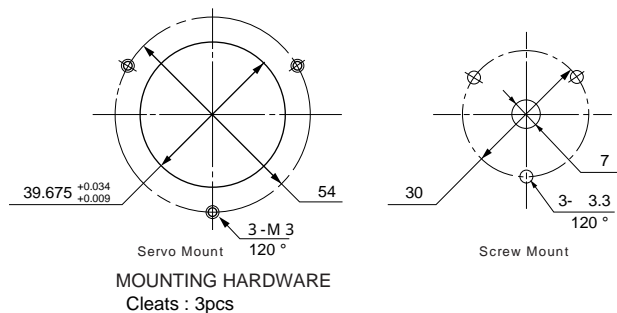
• CPP-45



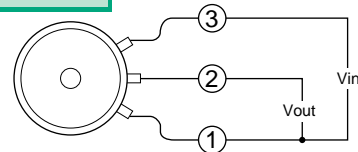
• CPP-45B



MOUNTING



SCHEMATIC



1,2,3 indicate terminal No.

OUTPUT CHARACTERISTICS

